

### 温州市海坦磁力电器有限公司

WENZHOU HAITAN MAGNETIC ELECTRICAL EQUIPMENT CO., LTD.

公司地址: 浙江省温州市鹿城区小南门外12号  
COMPANY REGISTERED ADDRESS: NO.12 XIAONAN STREET,  
WENZHOU CITY, ZHEJIANG PROVINCE, CHINA

物流部: 浙江省温州市青都街南真路8号  
LOGISTICS: NO.8 QINDOUJIE SOUTH ZHENGLU ROAD,  
WENZHOU CITY, ZHEJIANG PROVINCE, CHINA

TEL: 0086-577-88232938, 88629533, 88616052

FAX: 0086-577-88624368, 88612156, 88624887

E-MAIL: haitan@haitan.cn

WEB: <http://www.haitan.cn>

P.C.: 325000

### 江西恒珠电气柜锁有限公司

JIANGXI HENGZHU ELECTRICAL CABINET LOCK CO., LTD.

生产基地: 江西省宜春市经济开发区  
PRODUCTION BASE: YICHANG ECONOMIC DEVELOPMENT  
ZONE, JIANGXI PROVINCE, P. R. CHINA

TEL: 0795-3605677, 3609977, 3609271

MOBILE: 15870255777

FAX: 0795-3688277, 3688577

E-MAIL: [admin@hengzhu.com](mailto:admin@hengzhu.com)

WEB: <http://www.hengzhu.net>

P.C.: 336000



# HENGZHU 恒珠

INDUSTRIAL HARDWARE SUPPLIER

### 上海恒珠电气柜锁有限公司

地址: 上海市静安区300号309室

电话: 021-83000227

传真: 021-83806947

E-MAIL: [office@hengzhu.com](mailto:office@hengzhu.com)

<http://www.hengzhu.com>

### 温州市柳市门市部

地址: 温州市柳市街138号

电话: 0577-82778201



## 2009/2010 Product Manual

### 江西恒珠电气柜锁有限公司

JIANGXI HENGZHU ELECTRICAL CABINET LOCK CO., LTD

# HENGZHU 恒珠

恒珠工业五金

[WWW.HAITAN.CN](http://WWW.HAITAN.CN)

# Brief Introduction

Hengzhu is a professional manufacturer, designer and developer for locks, electrical cabinet locks, handles, hinges and other accessories adapted for all industries worldwide. Haitan has been developing with "guarantee by quality, surviving by credit standing, developing by technology, support by service" since its foundation in 1982, our products have won a high reputation as the whole production process under rigorous control which makes Haitan as the market leader in China. Your visit and cooperation will be warmly welcomed!

# 企业简介

本公司专业生产高、低压开关柜、仪表柜、通讯柜等柜体的门锁、铰链等电柜辅件。是集产品研发、开发、生产、销售于一体的专业公司。是原电力部、机械部和天津电气传动设计研究所的定点生产企业。

公司现有职工 800 余人，其中科技管理人员 50 人，具有中、高级技术职称 15 人。现有加工设备近三百台，具有完善的模具开发、热塑性注射、压铸件、冲制件、五金件加工、电键、喷塑等制造工艺。生产的“恒球”、“海鸥”牌电柜门锁、铰链等电柜辅件近 260 余种。产品远销日本、韩国、马来西亚等东南亚各国及欧洲、芬兰等国家。

“恒球”、“海鸥”牌电柜门锁在国内有较高的知名度，近年来公司先后引进日本等国外公司先进加工工艺，参照国外样品先后研制开发多和现行国际流行的最新样式产品。特别是产品表面经特殊工艺处理，已达到国外同类产品的先进水平，在国内同类产品处于领先地位。

公司始终坚持遵循“以品质为根本、以信誉求生存、以科技促发展、以服务赢上帝”的方针。严格按照国际质量标准不断完善质量保证体系，确保产品质量，争创名牌产品。

公司董事长梁恒球女士热忱欢迎中外各界人士莅临指导。





# PRODUCTION

## PROCEDURE 产品生产流程

恒珠一直着力追求优良品质，  
我们深知变化一日千里，  
惟有不断自我创新。

Hengzhu has been consistently focusing on the pursuit of excellent quality. We know deeply changes happen at a tremendous pace, we progress only as innovating ourselves constantly.



Meticulousness, Consideration,  
Concentration, we produce for the  
quality to the best satisfaction all the time.

细心、精心、用心，品质永保称心。



View at the overall, dedicate the work bit by bit,  
together with you we create Hengzhu products  
the golden brand.

从大处着眼，小处入手，共同缔造金牌产品

## RH / LH SKETCH MAP 左右开门示意



## CHARACTERISTIC SIGN 特性标记



## Surface Treatment

产品表面处理



## CODE Explanation

代号说明

门锁 Lock:MS	传动机构 Latch:MB	冷拉钢 cold rolled steel:CRS
搭扣 Toggle:DK	厚度 thickness:Ts	弹簧钢 spring steel:Fst
拉手 Handle:PL	调节距离 Adjustable distance:Ha	不锈钢 stainless steel:SUS
限位装置 Door stop:XW	止口高度 Use height:H	黄铜 brass:Br
铰链 Hinge:HL	基体高度 Groundwork high:GH	锌合金 zinc:ZDC
连杆 Rod:LG	柄柱打弯高度 Bend height:BH	铝合金 aluminum:ALU
连杆附件 Rod accessories:RG	左手锁 Left-hand:L	尼龙 nylon:PA
拉手 Handle pull:HP	右手锁 Right-hand:R	丙烯 propylene:PP
防水盖 Waterproof cap:WP	逆时针旋转 Anticlockwise rotation:ACW	丁二烯 butadiene:ABS
防尘盖 Dustproof cap:DP	顺时针旋转 Clockwise rotation:CW	聚碳酸酯 polycarbonate:PC
锁头 Lock cylinder insert:TC	伸缩行程 Shrink distance:Dm	橡胶 rubber:RB
钢柱 Cam:S	旋转角度 Rotation angle:Ra	
螺母 Nut:NT	喷涂 Blast finish:CS	
带垫螺母 Vibration proof screw:SW	电镀 Plate finish:CP	
钥匙 Key :K	最大工作扭矩 Max-torque:Tmax	
垫圈 Gasket:G	最大工作载荷 Max-load:Fmax	
销子 pin:P		

## Contents

### 录 HENGZHU ELECTRICAL CABINET LOCK











# Stainless Steel Series product

## 不锈钢系列产品



**Handle LOCK SERIES 执手系列**



AB701-1-1 AB701-1-2

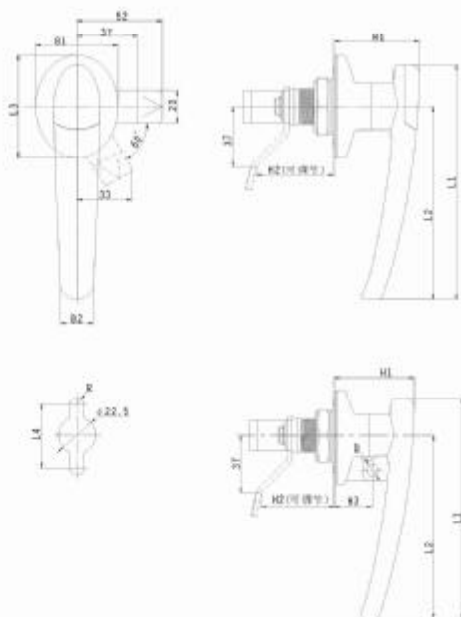


AB701-2-1 AB701-2-2G



AB701-3-1 AB701-3-2G

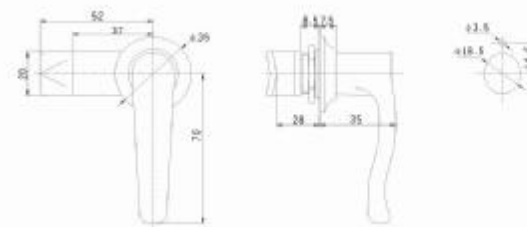
- 材质：锌合金压铸，镀锌钢板；通门门板厚度：1-2mm  
备注：锁体开孔D10=10(AB701-1-1/2) D8=8(AB701-2-1/2) AB701-3-1(2)需加装制卡板方可通门板厚90°  
双头锁可锁对任何材料，或定制特殊材料，亦可定制特殊颜色。
- Material: Zinc die-casting body, M.S. Zinc plating cam. Panel thickness: 1-2mm  
Remark: cam cutout D10=10(AB701-1-1/2) D8=8(AB701-2-1/2) AB701-3-1(2) padlockable version can be turn left 90° only.



基本尺寸 Dimensions											产品型号及特性 Product Number		
L1	L2	L3	L4	B1	B2	H1	H2	H3	R	D	有锁芯 with key	无锁芯 no key	无锁芯带锁 Padlock able with key
145.5	125	62.5	48	50	25	52	43.5	28	4.2	8	AB701-1-1.1	AB701-1-2.1	AB701-1-2G.1
118	95	49.5	32	40	18	46	38	22	3.6	8	AB701-2-1.1	AB701-2-2.1	AB701-2-2G.1
156.5	95	46.5	32	38	14	42	38	17	3.6	7	AB701-3-1.1	AB701-3-2.1	AB701-3-2G.1

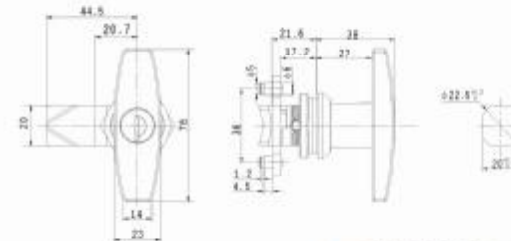
**Handle LOCK SERIES 执手系列**

- 材质：锌合金压铸，镀锌钢板；通门门板厚度：1-2mm；备注：手柄角度90°，锁体开孔D8=8
- Material: zinc die-casting body, M.S. Zinc plating cam. Panel thickness: 1-2mm  
Remark: cam cutout D8=8, handle rotate angle 90°



AB803

- 材质：锌合金压铸，镀锌钢板；通门门板厚度：1-4mm；备注：锁体开孔D8=8固定位点。
- Material: zinc die-casting body, M.S. Zinc plating cam. Panel thickness: 1-4mm. Remark: cam cutout D8=8.



产品型号及特性 Product Number	
无锁芯 Black powder coated	有锁芯 Bright chrome plating
MS101-1-1.2	MS101-1-1.1



MS101-1-1

- 材质：锌合金压铸，镀锌钢板；通门门板厚度：1-4mm；备注：压型凸门锁及单锁孔。
- Material: zinc die-casting body, M.S. Zinc plating cam. Panel thickness: 1-4mm. Remark: compression lock/turn pull-in.



MS101-1-2



**Handle LOCK SERIES 执手系列**

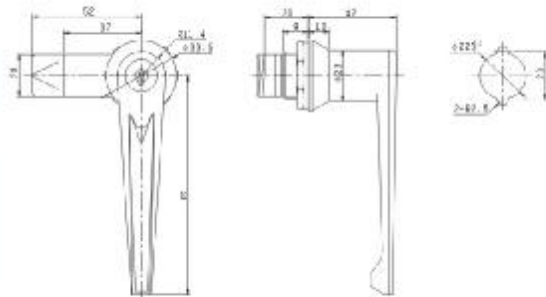


MS301-1-1



MS301-1-2

- 材料: 锌合金压铸, 镀锌钢壳, 通孔门板厚度: 1-3mm
- Material: zinc-casting body, gal. M.S. Z-plating cover. Panel thickness: 1-3mm



产品型号及特性 Product Number		
镀锌钢 Z-plating cover	镀锌钢 Z-plating cover	镀锌钢 Z-plating cover
有锁芯 with key	有锁芯 with key	有锁芯 with key
MS301-1-1-1	MS301-1-1-2	MS301-1-1-3 (R/L/SH) for choice

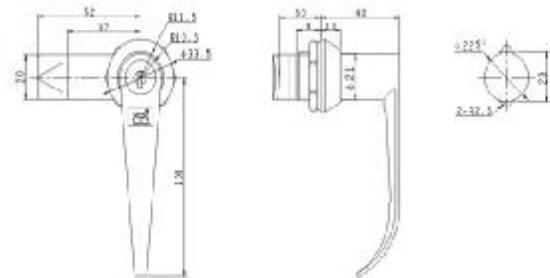
- 材料: 锌合金压铸, 镀锌钢壳, 通孔门板厚度: 1-3mm
- Material: zinc-casting body, gal. M.S. Z-plating cover. Panel thickness: 1-3mm



MS301-2-1



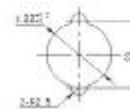
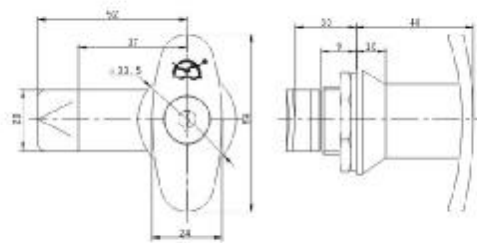
MS301-2-2



产品型号及特性 Product Number		
镀锌钢 Z-plating cover	镀锌钢 Z-plating cover	镀锌钢 Z-plating cover
有锁芯 with key	有锁芯 with key	有锁芯 with key
MS301-2-1-1	MS301-2-2-1	

**Handle LOCK SERIES 执手系列**

- 材料: 锌合金压铸, 镀锌钢壳, 通孔门板厚度: 1-3mm
- Material: zinc-casting body, gal. M.S. Z-plating cover. Panel thickness: 1-3mm



产品型号及特性 Product Number	
镀锌钢 Z-plating cover	镀锌钢 Z-plating cover
有锁芯 with key	有锁芯 with key
MS302-1-1-1	MS302-1-1-2

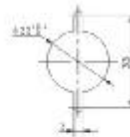
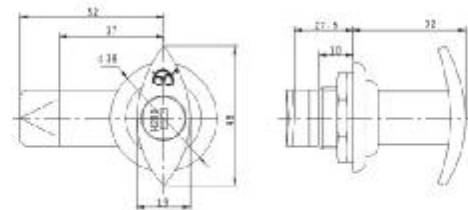


MS302-1-1



MS302-1-2

- 材料: 锌合金压铸, 镀锌钢壳, 通孔门板厚度: 1-3mm
- Material: zinc-casting body, gal. M.S. Z-plating cover. Panel thickness: 1-3mm



MS302B

**Handle LOCK SERIES 执手系列**

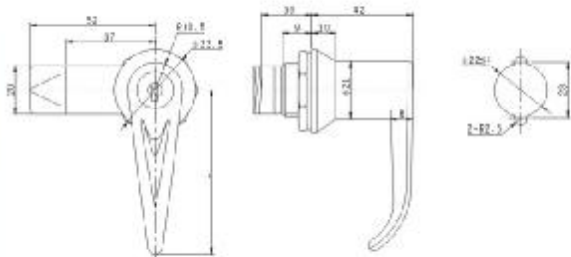


MS303-1-1 MS303-1-2



MS303-2-1 MS303-2-2

- 材质: 锌合金压铸, 螺母, 镀锌钢板; 适用门板厚度: 1-3mm
- Material: zinc die-casting body, nut, M 5 Zinc-plated steel Panel thickness: 1-3mm



基本尺寸 Dimensions	产品型号及特性 Product Number	产品型号及特性 Product Number
L H	直柄式 MS303-1-1	弯柄式 MS303-1-2
ST	MS303-2-1	MS303-2-2
SS	MS303-2-1	MS303-2-2

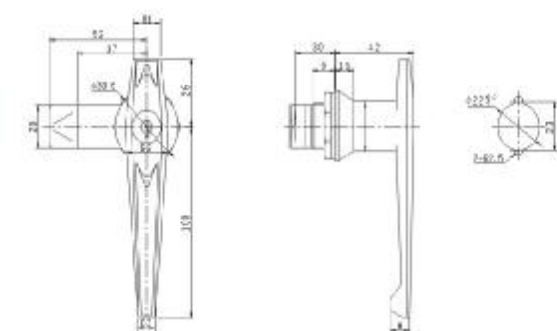
- 材质: 锌合金压铸, 螺母, 镀锌钢板; 适用门板厚度: 1-3mm
- Material: zinc die-casting body, nut, M 5 Zinc-plated steel Panel thickness: 1-3mm



MS304-1-1 MS304-1-2



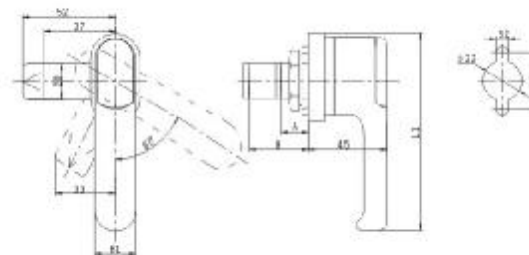
MS304-2-1 MS304-2-2



基本尺寸 Dimensions	产品型号及特性 Product Number	产品型号及特性 Product Number
B1 B2 B3 L	直柄式 MS304-1-1	弯柄式 MS304-1-2
13 28 8.8 11	MS304-1-1	MS304-1-2
13 28.8 8.8 8	MS304-2-1	MS304-2-2

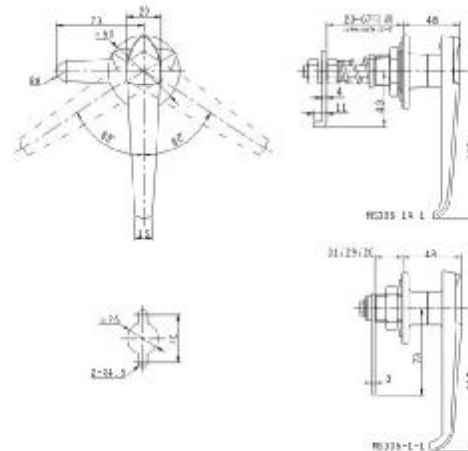
**Handle LOCK SERIES 执手系列**

- 材质: 锌合金压铸, 螺母, 镀锌钢板; 适用门板厚度: 1-3mm
- Material: zinc die-casting body, nut, M 5 Zinc-plated steel Panel thickness: 1-3mm



基本尺寸 Dimensions	产品型号及特性 Product Number	产品型号及特性 Product Number
L H	直柄式 MS305-1-1	弯柄式 MS305-1-2
109 46	MS305-1-1	MS305-1-2
107 46.2	MS305-2-1	MS305-2-2

- 材质: 锌合金压铸, 螺母, 镀锌钢板; 适用门板厚度: 1-3mm
- Material: zinc die-casting body, nut, M 5 Zinc-plated steel Panel thickness: 1-3mm



MS305-1-1



MS305-2-1



MS306-1A-1



MS306-1-1





**Handle LOCK SERIES 执手系列**

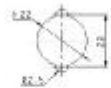
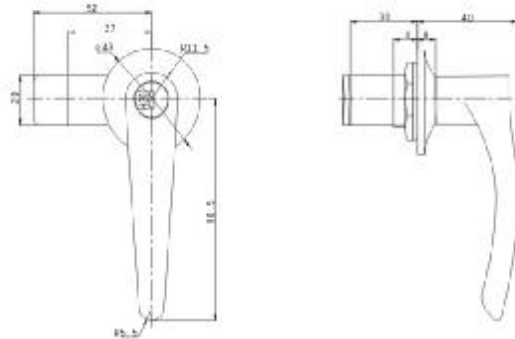


MS310-1-1



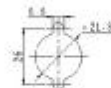
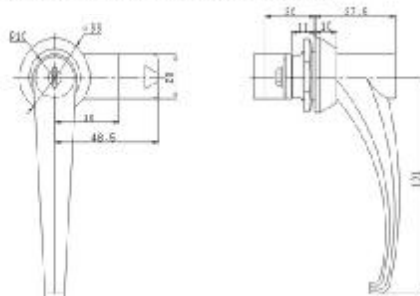
MS310-1-2

- 材质：铝合金执手、钢门、镀锌钢板，适用门框厚度：1-3mm
- Material: zinc-plated body, gal. M.S. Zinc plating, Pass thickness: 1-3mm



产品型号及特性 Product Number	
银亮漆 Right chrome plating	银亮漆 Right chrome plating
有锁芯 with key	无锁芯 Fast lock
MS310-1-1	MS310-1-2

- 材质：铝合金执手、钢门、镀锌钢板，适用门框厚度：1-3mm
- Material: zinc-plated body, gal. M.S. Zinc plating, Pass thickness: 1-3mm

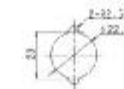
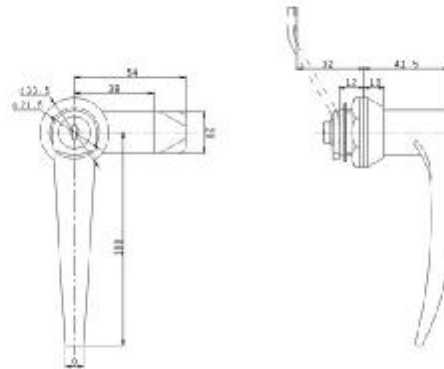


产品型号及特性 Product Number	
银亮漆 Right chrome plating	银亮漆 Right chrome plating
有锁芯 with key	无锁芯 Fast lock
MRS11-1	MRS11-2

MRS11

**Handle LOCK SERIES 执手系列**

- 材质：铝合金执手、镀锌钢板，适用门框厚度：1-3mm
- Material: zinc-plated body, M.S. Zinc plating, Pass thickness: 1-3mm

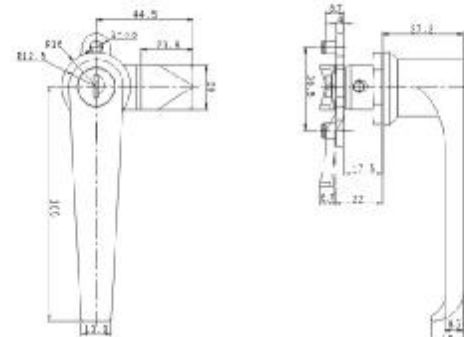


产品型号及特性 Product Number	
银亮漆 Right chrome plating	银亮漆 Right chrome plating
MS312-1	MS312-2



MS312

- 材质：铝合金执手、镀锌钢板，适用门框厚度：1-3mm 款式，适用门框厚度
- Material: zinc-plated body, M.S. Zinc plating, Pass thickness: 1-3mm



产品型号及特性 Product Number	
银亮漆 Right chrome plating	银亮漆 Right chrome plating
MS314-1	MS314-2



MS314





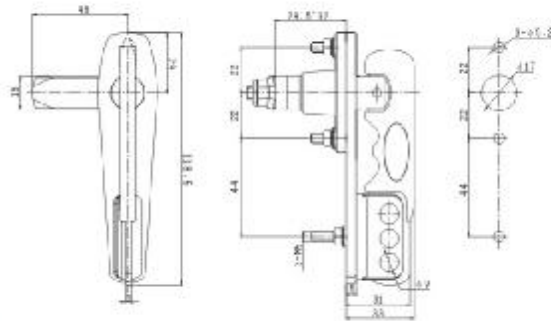
**Handle LOCK SERIES 执手系列**



NEW

MS315

- 材料: 锌合金压铸, 镀锌钢手柄, 铜芯, 黄铜; 与拉线配套使用。
- Material: zinc die-casting body, M.S. Zinc plating case, handle: Remanufacture with copper.

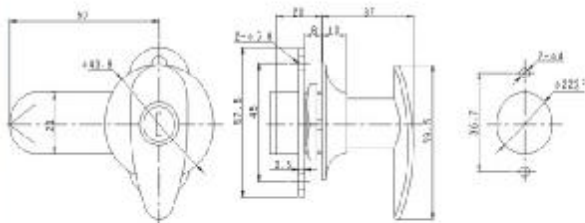


A19-1-1



A19-1-2

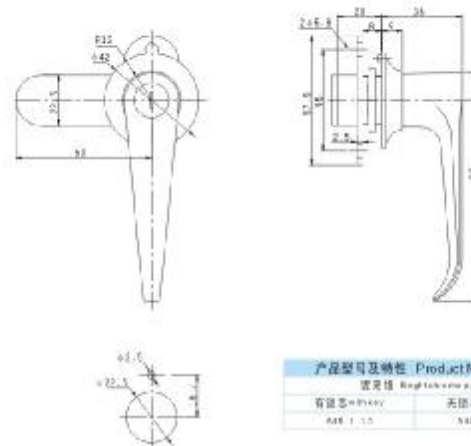
- 材料: 锌合金压铸, 镀锌钢芯, 通断门板厚度: 1-1.5mm。
- Material: zinc die-casting body, M.S. Zinc plating case, Pass thickness: 1-1.5mm.



产品型号及特性 Product Number			
通光型 with chrome plating		透光型 with silver case	
有钥匙 with key	无钥匙 with key	有钥匙 with key	无钥匙 with key
A19-1-1.1	A19-1-2.1	A19-1-1.2	A19-1-2.2

**Handle LOCK SERIES 执手系列**

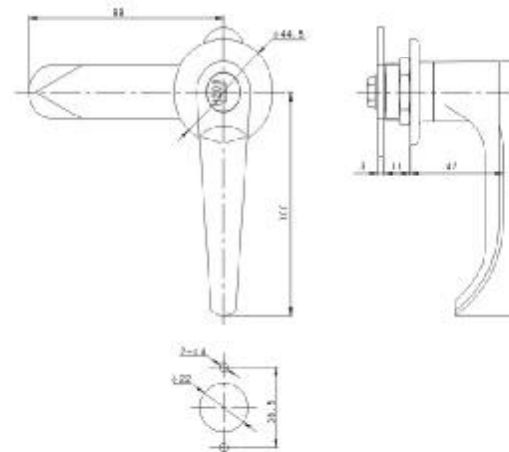
- 材料: 锌合金压铸, 镀锌钢芯, 通断门板厚度: 1-1.5mm。
- Material: zinc die-casting body, M.S. Zinc plating case, Pass thickness: 1-1.5mm.



产品型号及特性 Product Number

通光型 with chrome plating		透光型 with silver case	
有钥匙 with key	无钥匙 with key	有钥匙 with key	无钥匙 with key
A45-1-1.1	A45-1-2.1	A45-1-1.2	A45-1-2.2

- 材料: 锌合金压铸, 镀锌钢芯, 通断门板厚度: 1-1.5mm。
- Material: zinc die-casting body, M.S. Zinc plating case, Pass thickness: 1-1.5mm.



A45-1-1



A45-1-2



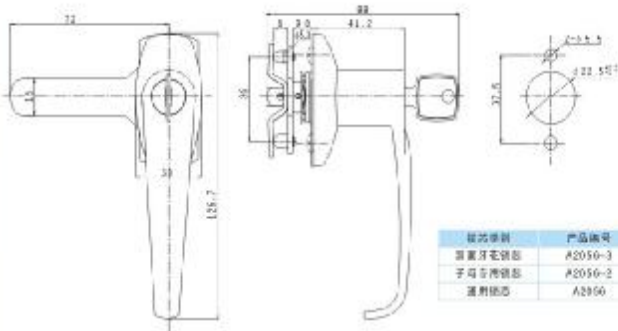
A2055

**Handle LOCK SERIES 执手系列**



A2056

- 材质: 铝合金执手, 镀锌铁壳, 锁芯, 锁门衬厚度: 1-2mm
- Material: die-casting body, M.S. Zinc plating coat, lock parts, Panel thickness: 1-2mm

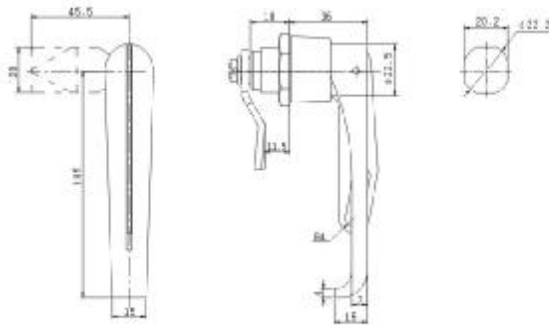


执手系列	产品编号
前置牙花锁芯	A2056-3
子母舌插锁芯	A2056-2
通用锁芯	A2056

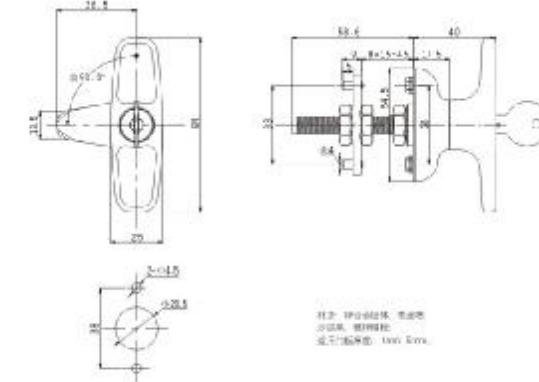
- 材质: 铝合金执手, 镀锌铁壳, 不锈钢锁芯, 锁门衬厚度: 1-3mm
- 注: 与锁芯配套使用
- Material: die-casting body, M.S. Zinc plating coat, lock parts stainless steel lock core, Panel thickness: 1-3mm



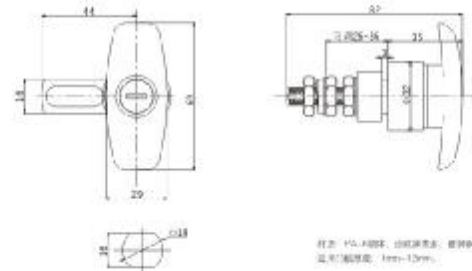
A2057



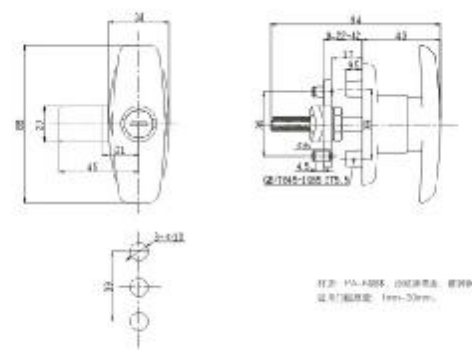
**Handle LOCK SERIES 执手系列**



注: 不锈钢执手, 镀锌铁壳, 镀锌铁芯, 镀锌铁衬, 锁门衬厚度: 1mm-3mm



注: 铝合金执手, 镀锌铁壳, 镀锌铁芯, 镀锌铁衬, 锁门衬厚度: 1mm-3mm



注: 铝合金执手, 镀锌铁壳, 镀锌铁芯, 镀锌铁衬, 锁门衬厚度: 1mm-3mm



MS107-1-1



MS106-2-1



MS106-1-1





**PLANE LOCK SERIES 平面锁系列**



AB102-1-1



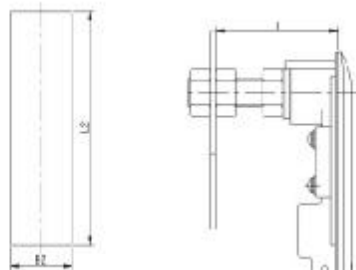
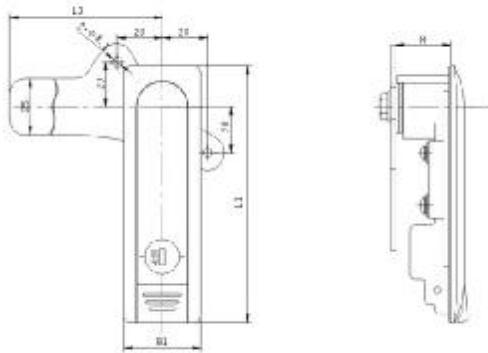
AB102-2-1



AB102-3-1



AB102-3-1P

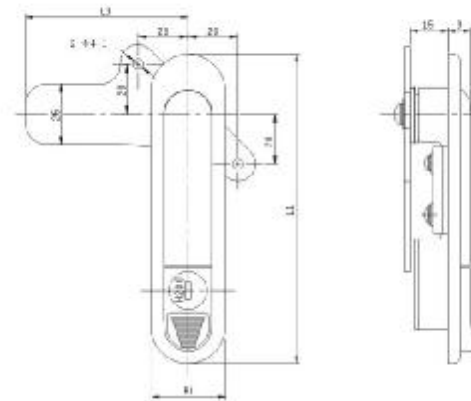


标准型号  
standard type

基本尺寸 Dimensions		产品型号及特性 Product Number			
L1	L2	L3	B1	B2	7
190	147	148	34	35	2602007
113	103	108	24	25	2602007
76	67.5	68	27	29	2602007
190	147	148	34	35	2602007
113	103	108	24	25	2602007
76	67.5	68	27	29	2602007
190	147	148	34	35	2602007
113	103	108	24	25	2602007
76	67.5	68	27	29	2602007

材料: 压铸铝合金 表面处理: 喷粉  
Material: Zinc die-casting alloy. Surface treatment: powder coating.

**PLANE LOCK SERIES 平面锁系列**



基本尺寸 Dimensions		产品型号及特性 Product Number			
L1	L2	L3	B1	B2	7
147	117	72	30	30.8	48200-1-1.2
190.5	160.5	65	30	30.8	48200-2-1.2
87.5	60.5	45	30.5	30.5	48200-3-1.2

材料: 压铸铝合金 表面处理: 喷粉  
Material: Zinc die-casting alloy. Surface treatment: powder coating.



AB301-1-1



AB301-2-1



AB301-3-1





**PLANE LOCK SERIES 平面锁系列**



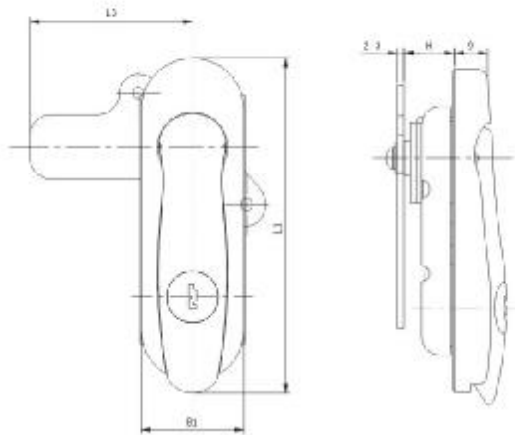
AB402-1-1 AB402-1-2



AB402-2-1 AB402-2-2



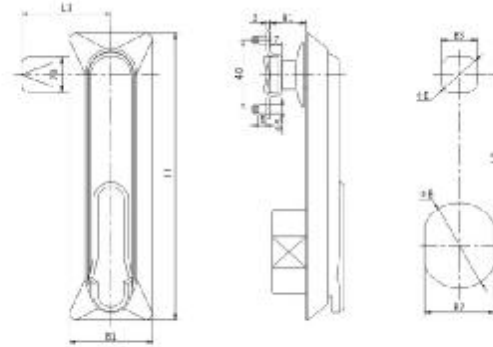
AB402-3-1P AB402-3-2



基本尺寸 dimensions						产品型号及特性 Product Model			
L <sup>1</sup>	L <sub>2</sub>	L <sub>3</sub>	B <sub>1</sub>	B <sub>2</sub>	H	铸合金锁芯, 手柄 Zinc die-casting lock core handle	PA-66壳, 多锁 PA-66 body, 5 lock	铸合金锁芯, 手柄 Zinc die-casting lock core handle	PA-66壳, 多锁 PA-66 body, 5 lock
147	117	72	53	25.5	12	AB402-1-1/2	AB402-1-2/2	AB402-1-1P	AB402-1-2P
125	95.5	65	38	25.5	11	AB402-2-1/2	AB402-2-2/2	AB402-2-1P	AB402-2-2P
91	62.5	65	28.5	23.2	11	AB402-3-1/2	AB402-3-2/2	AB402-3-1P	AB402-3-2P

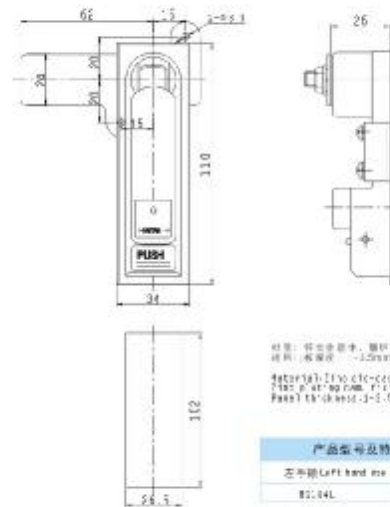
注意: 铸合金锁芯, 手柄, 镀锌钢板, 压铸  
注意: 铸合金锁芯, 手柄, 镀锌钢板, 压铸  
Material: Zinc die-casting body and shaft, N.S. Zinc plating case. Fixing parts  
Panel thickness: 1.5mm

**PLANE LOCK SERIES 平面锁系列**



基本尺寸 Dimensions						产品型号及特性 Product Model					
L <sup>1</sup>	L <sub>2</sub>	L <sub>3</sub>	B <sub>1</sub>	B <sub>2</sub>	H <sub>1</sub>	铸合金锁芯, 手柄 Zinc die-casting lock core handle	PA-66壳, 多锁 PA-66 body, 5 lock	铸合金锁芯, 手柄 Zinc die-casting lock core handle	PA-66壳, 多锁 PA-66 body, 5 lock		
147	99.2	41.4	48	42.4	21.5	28	28.5	MS100-1-1B	MS100-1-1A	MS100-1-1C	MS100-1-1D
130	87.2	40	37	33	18.5	18	28.5	MS100-2-1			

注意: PA-66壳, 镀锌钢板, 压铸  
注意: PA-66壳, 镀锌钢板, 压铸  
Material: PA-66 body & zinc plating case. Fixing parts  
Panel thickness: 1.5mm



注意: 铸合金锁芯, 手柄, 镀锌钢板, 压铸  
注意: 铸合金锁芯, 手柄, 镀锌钢板, 压铸  
Material: Zinc die-casting body, N.S.  
Zinc plating case. Fixing parts  
Panel thickness: 1.5mm

产品型号及特性 Product Model	
左手锁 Left hand use	右手锁 Right hand use
B2: 84L	FS: 84R



MS100-1-1C



MS100-2-1

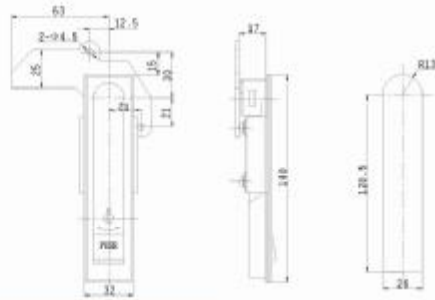


MS104

**PLANE LOCK SERIES 平面锁系列**



MS104B

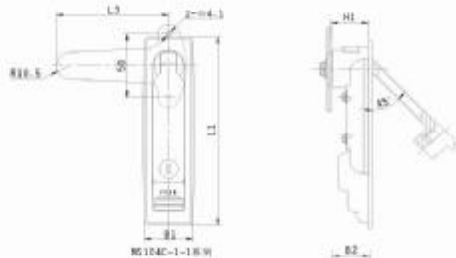


**产品型号及特性 Product Number**  
磨砂镀铬漆 磨砂漆  
Gray chrome plating MS104B-A  
MS104B-B

材质: 锌合金壳体, 镀锌钢板, 铜轴;  
面板门框厚度: 1-3.5mm  
Material: Zinc die-casting body, N.S.  
Zinc plating body, Fixing parts,  
Panel thickness: 1-3.5mm



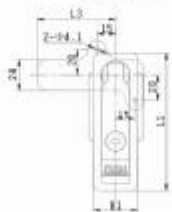
MS104C-1-1



MS104C-1-1B-W



MS104C-2-1



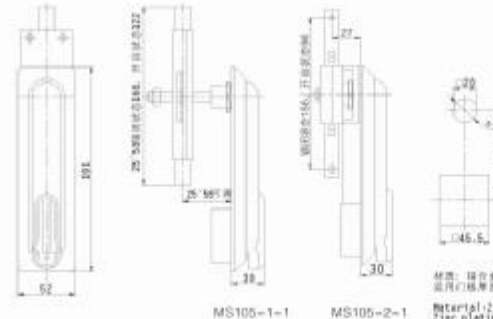
MS104C-2-1/MS104C-3-1B-W



MS104C-3-1

基本尺寸 Dimensions		产品型号及特性 Product Number								
L1	L2	L3	B1	B2	H1	磨砂漆 K0200	镀铬漆 K0600(A)	抛光亮面 K0200	抛光亮面 K0600(A)	抛光亮面 K0200
150	140	88	30.5	28	31	MS104C-1-1A.2	MS104C-1-1A.2	MS104C-1-1A.1	MS104C-1-1A.1	MS104C-1-1A.3
130	126	69	33	27	28	MS104C-2-1A.2	MS104C-2-1A.2	MS104C-2-1A.1	MS104C-2-1A.1	MS104C-2-1A.3
118	102	60	33	27	28	MS104C-3-1A.2	MS104C-3-1A.2	MS104C-3-1A.1	MS104C-3-1A.1	MS104C-3-1A.3

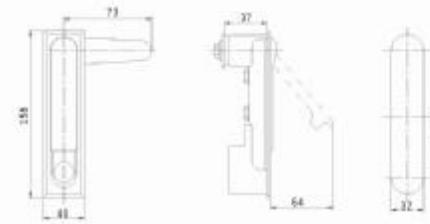
**PLANE LOCK SERIES 平面锁系列**



MS105-1-1

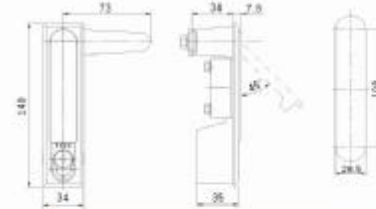
MS105-2-1

材质: 锌合金壳体, 镀锌钢板, 镀锌铜轴;  
面板门框厚度: 1-3mm  
Material: Zinc die-casting body, N.S.  
Zinc plating fixing parts, rod.  
Panel thickness: 1-3mm



MS480-1-1

材质: 锌合金壳体, 镀锌钢板, 铜轴;  
面板门框厚度: 1-3mm  
Material: Zinc die-casting body, N.S.  
Zinc plating fixing parts,  
Panel thickness: 1-3mm



MS480-2-1

MS480-2-1Y

表面处理	锁芯	产品型号及特性
Finish	Insert	Product Number
镀铬漆	锌合金壳体 Zinc die-casting body	MS480-2-1.2 MS480-2-1Y.2
抛光亮面	锌合金壳体 Zinc die-casting body	MS480-2-1.1 MS480-2-1Y.1
磨砂亮面	锌合金壳体 Zinc die-casting body	MS480-2-1.3 MS480-2-1Y.3



K0100

MS105-1-1



K0200

MS480-1-1

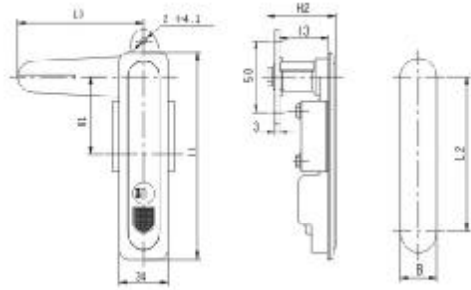


K0300

MS480-2-1

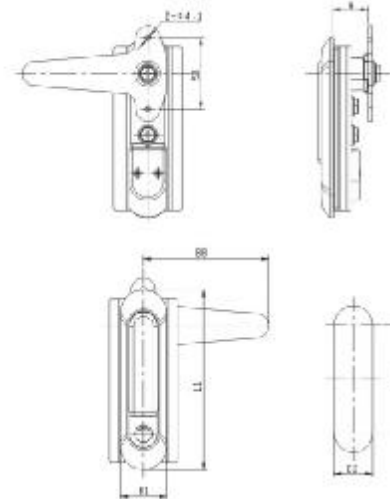
MS480-2-1Y

**PLANE LOCK SERIES 平面锁系列**



材质: 铝合金主体, 黄铜, 镀锌钢板, 铜棒;  
密封门框厚度: 1-10mm  
Material: Zinc die casting body and brass, P.C. Zinc plating cam, fixing parts.  
Ref: THZCR650-1-10mm

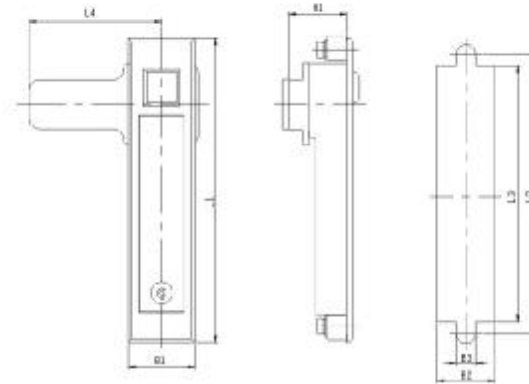
基本尺寸 DIMENSIONS							产品型号及特性 PRODUCT NUMBER	
L1	L2	L3	H1	H2	H3	B	KD600(A)	KD600
142	188	98	54	52	24	29.5	MS481-1-1A	MS481-1-1
124	98	73	54	51	28	29	MS481-2-1A	MS481-2-1



材质: 铝合金主体, 镀锌钢板, 铜棒;  
密封门框厚度: 1-10mm  
Material: Zinc die casting body, P.C. Zinc plating cam, fixing parts.  
Fast: THZCR650-1-10mm

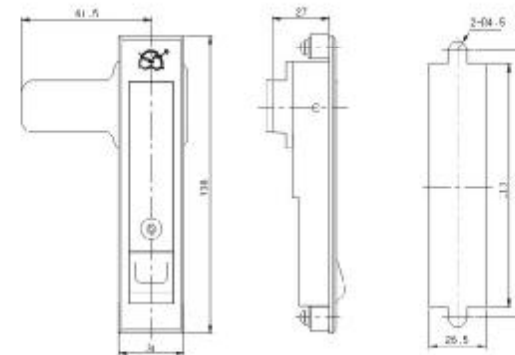
基本尺寸 DIMENSIONS							产品型号及特性 PRODUCT NUMBER	
L1	L2	B1	B2	1			型号	特性
198	190.5	38	35	37			MS482-1-1	铝合金主体
172	128	36	28	28			MS482-2-1	镀锌镀铬主体
128.5	110	38.5	27	27.5			MS482-3-1	铝合金主体

**PLANE LOCK SERIES 平面锁系列**



材质: 铝合金主体, 镀锌钢板, 铜棒;  
密封门框厚度: 1-10mm  
Material: Zinc die casting body, P.C. Zinc plating cam, fixing parts.  
Ref: THZCR650-1-10mm

基本尺寸 DIMENSIONS							产品型号及特性 PRODUCT NUMBER	
L1	L2	L3	H1	H2	H3	B	型号	特性
148	128	115.5	61.8	31	27	6.5	MS501-1-1	铝合金主体
100	81.5	79.5	50	27	22.2	7	MS501-2-1	镀锌镀铬主体

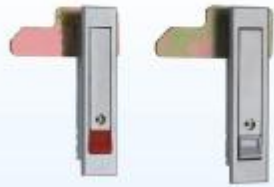


材质: 铝合金主体, 镀锌钢板, 铜棒;  
密封门框厚度: 1-10mm  
Material: Zinc die casting body, P.C. Zinc plating cam, fixing parts.  
Fast: THZCR650-1-10mm

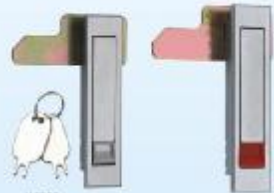




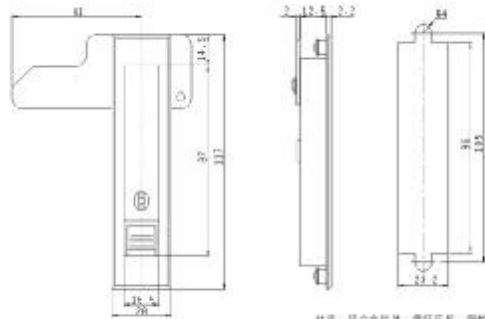
**PLANE LOCK SERIES 平面锁系列**



MS502-2-1R MS502-2-1W



MS502-2-2W MS502-2-2R



材质: 锌合金壳体, 镀锌钢板, 铜件;  
适用门板厚度: 1-4mm;  
备注: 锁体有安装孔。  
Material: Zinc die-casting body, S.S.,  
Steel plate 1mm-4mm;  
Panel thickness: 1-4mm

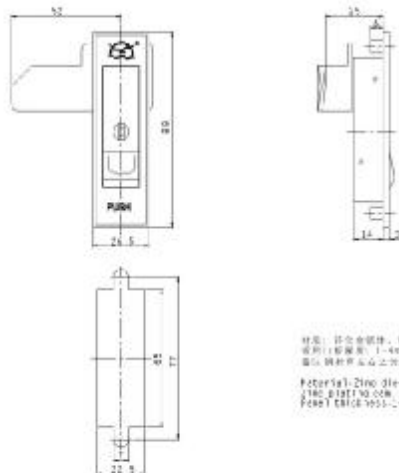
**产品型号及特性 Product Number**

右锁芯 with key	左锁芯 with key	右锁芯 with key	左锁芯 with key
MS502-2-1W	MS502-2-1R	MS502-2-2W	MS502-2-2R



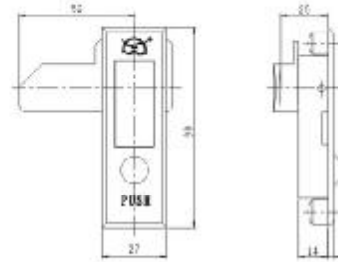
KAVD

MS503-1-1



材质: 锌合金壳体, 镀锌钢板, 铜件;  
适用门板厚度: 1-4mm;  
备注: 锁体有安装孔。  
Material: Zinc die-casting body, S.S.,  
Steel plate 1mm-4mm;  
Panel thickness: 1-4mm

**PLANE LOCK SERIES 平面锁系列**



MS503-1-2A



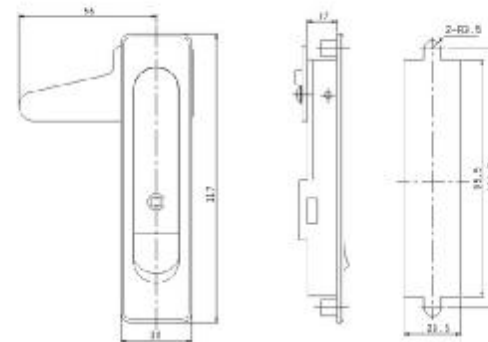
MS503-1-2



材质: 锌合金壳体, 镀锌钢板, 铜件;  
适用门板厚度: 1-4mm;  
备注: 锁体有安装孔。  
Material: Zinc die-casting body, S.S.,  
Steel plate 1mm-4mm;  
Panel thickness: 1-4mm

**产品型号及特性 Product Number**

右锁芯 (带钥匙)	左锁芯 (带钥匙)
MS503-1-2A	MS503-1-2B



MS504-1-1



MS504-1-2



MS504-1-1A

表面处理方式	产品型号及特性 Product Number		
喷沙黑	MS504-1-1	MS504-1-2	MS504-1-2A
镀锌钢板	MS504-1-1A	MS504-1-2A	MS504-1-2B
喷沙黑	MS504-1-1A	MS504-1-2A	MS504-1-2B

材质: 锌合金壳体, 镀锌钢板, 铜件;  
适用门板厚度: 1-4mm;  
备注: 锁体有安装孔。  
Material: Zinc die-casting body, S.S.,  
Steel plate 1mm-4mm;  
Panel thickness: 1-4mm

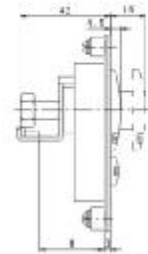
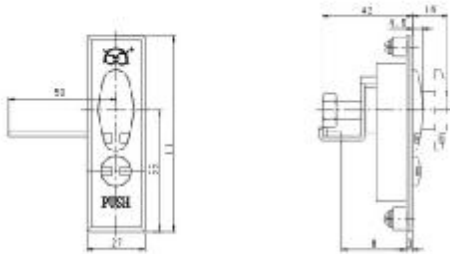
**PLANE LOCK SERIES 平面锁系列**



MS505-1-1



MS505-1-2



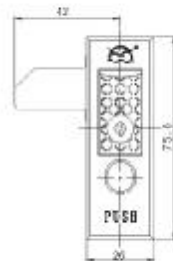
材质: 铝合金压铸, 镀锌钢板, 铜件.  
表面处理: 1-2mm.  
颜色: 银灰色或黑色.  
Material: Zinc die-casting body, S.S.  
Zinc plating case, fitting parts.  
Paint thickness: 1-2mm.  
Color: Silver or black.

基本尺寸				产品型号及特性	
Dimensions				Product Number	
L1	L2	L3	H	带钥匙	
				带钥匙不带锁	
32	51	56	22	MS505-1-1	
32	80.5	88	23	MS505-1-2	



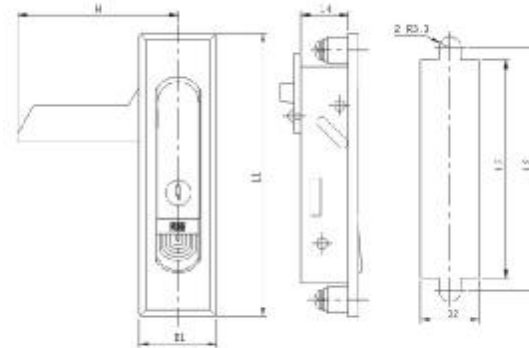
MS506

MS506



材质: 铝合金压铸, 镀锌钢板, 铜件.  
表面处理: 1-2mm.  
颜色: 银灰色或黑色.  
Material: Zinc die casting body, S.S.  
Zinc plating case, fitting parts.  
Paint thickness: 1-2mm.  
Color: Silver or black.

**PLANE LOCK SERIES 平面锁系列**



材质: 铝合金压铸, 镀锌钢板, 铜件.  
表面处理: 1-2mm.  
Material: Zinc die-casting body, S.S.  
Zinc plating case, fitting parts.  
Paint thickness: 1-2mm.

基本尺寸				产品型号及特性	
Dimensions				Product Number	
L1	L2	L3	H	带钥匙	不带钥匙
115	133.5	144	28	MS507-1-1	MS507-1-2
32	70	72.5	28	MS507-2-1	MS507-2-2



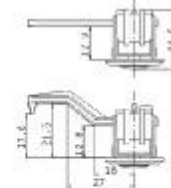
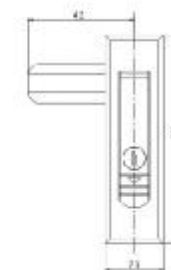
MS507-1-1

MS507-1-2



MS507-2-1

MS507-2-2



材质: PA 666.  
表面处理: 1-2mm.  
Material: PA-66  
Paint thickness: 1-2mm.

产品型号及特性	
Product Number	
带钥匙	不带钥匙
MS507-3-1P	MS507-3-2P



MS507-3-1P

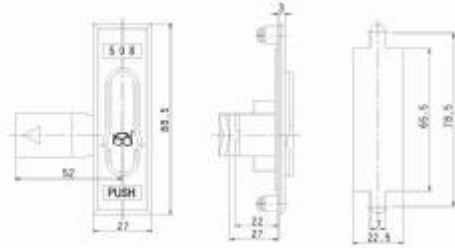


MS507-3-2P

**PLANE LOCK SERIES 平面锁系列**



MS508



**产品型号及特性 Product Number**

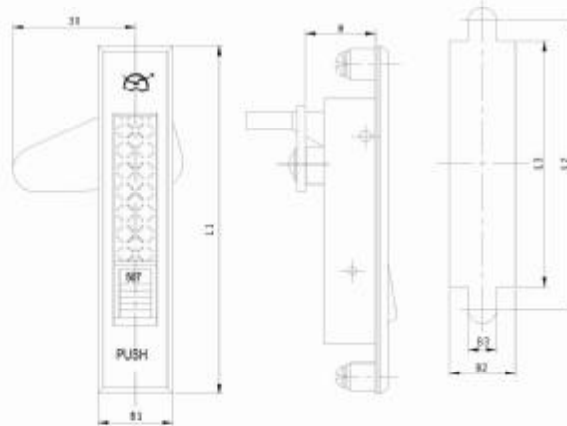
左半锁 右手锁  
MS508L MS508R

材质: 锌合金压铸, 塑料衬盖盖, 镀锌钢板  
适用门框厚度: 1-4mm  
备注: 半锁为左右通用, 型号为MS508L和MS508R  
Material: Zinc die-casting body, plastic waterproof cap, 0.5 Zinc plating cam, fixing parts.  
Panel thickness: 1-4mm



MS510-1-1

MS510-1-2



**基本尺寸 Dimensions**

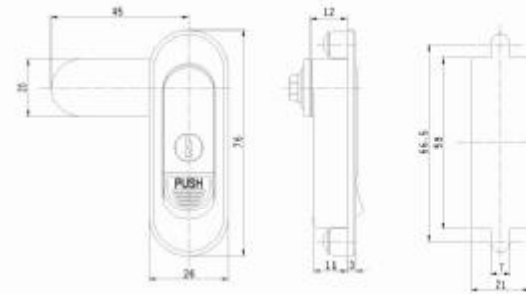
L1	L2	L3	D1	D2	D3	H	产品型号及特性 Product Number
							镀镍锁 Bright chrome plating
82	79.5	86	24	19.5	7	24	MS510-1-1, 1.2
82	79.5	86	24	19.5	7	28	MS510-1-2.1
88	73	82	26	18	8.5	28	MS510-1-2A 4000系列, 带按钮式锁
88	80	83	19	16.5	7.6	17.5	MS510-2-2.1

材质: 锌合金压铸, 镀锌钢板, 塑料衬盖盖  
适用门框厚度: 1-20mm  
备注: 半锁为左右通用  
Material: Zinc die-casting body, 0.5 Zinc plating cam, fixing parts.  
Panel thickness: 1-20mm  
Remark: Left cam and right cam are available.

MS510-2-2

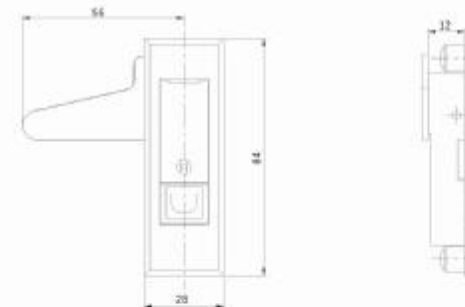
MS510-1-2A

**PLANE LOCK SERIES 平面锁系列**



MS511

材质: 锌合金压铸, 镀锌钢板, 塑料衬盖盖  
适用门框厚度: 1-4mm  
Material: Zinc die-casting body, 0.5 Zinc plating cam, fixing parts.  
Panel thickness: 1-4mm



H6000

MS601-3-1

**产品型号及特性 Product Number**

有锁芯 无锁芯  
MS601-3-1 MS601-3-2

材质: 锌合金压铸, 镀锌钢板, 塑料衬盖盖  
适用门框厚度: 1-4mm  
Material: Zinc die-casting body, 0.5 Zinc plating cam, fixing parts.  
Panel thickness: 1-4mm



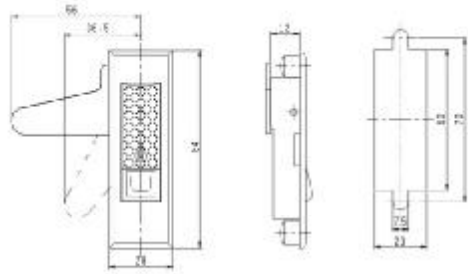
MS601-3-2



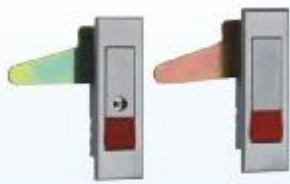
**PLANE LOCK SERIES 平面锁系列**



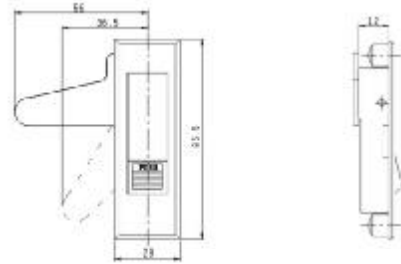
MS602-3-1



材质: 锌合金压铸, 镀锌钢板, 铜板;  
锁舌材料厚度: 1-4mm;  
Material: Zinc die-casting body, S. C. Zinc plating cam, fitting parts;  
Pawl thickness: 1-4mm



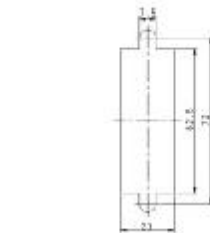
MS603-3-1R MS603-3-2R



材质: 锌合金压铸, 镀锌钢板, 铜板;  
锁舌材料厚度: 1-4mm;  
Material: Zinc die-casting body, S. C. Zinc plating cam, fitting parts;  
Pawl thickness: 1-4mm

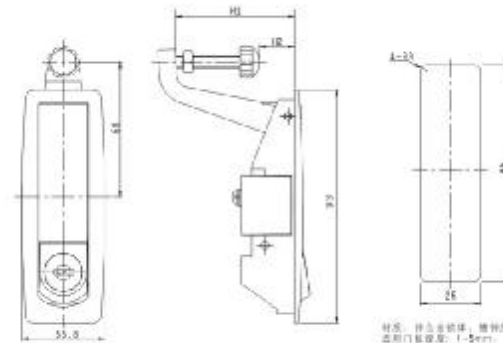


MS603-3-1W MS603-3-2W



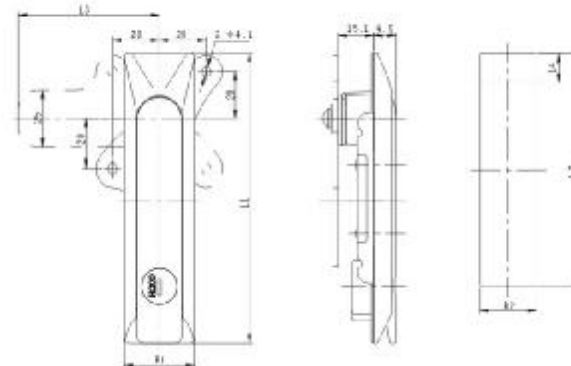
产品型号及特性 Product Number					
压铸锌(合金)	压铸铝(材料)	镀锌钢板	铜板	铜板	铜板
Zinc Alloy	Aluminum	Zinc plating	Copper	Copper	Copper
压铸锌	压铸铝	镀锌钢板	铜板	铜板	铜板
Zinc Alloy	Aluminum	Zinc plating	Copper	Copper	Copper
MS603-3-1W	MS603-3-2W	MS603-3-1R	MS603-3-2R	MS603-3-1	MS603-3-2

**PLANE LOCK SERIES 平面锁系列**



材质: 锌合金压铸, 镀锌钢板, 铜板;  
锁舌材料厚度: 1-5mm;  
Material: Zinc die-casting body, S. C. Zinc plating cam, fitting parts;  
Pawl thickness: 1-5mm

基本尺寸		产品型号及特性					
Dimension		Product Number					
H1	40	压铸锌(合金)	压铸铝(材料)	镀锌钢板	铜板	铜板	铜板
48.5	4-27	Zinc Alloy	Aluminum	Zinc plating	Copper	Copper	Copper
27.5	2-18	MS606-1-1	MS606-1-1A	MS606-1-2P	MS606-1-2	MS606-1-1.2	MS606-1-1A.2
		MS606-1-2P.1	MS606-1-2P.2	MS606-1-2P.3	MS606-1-2.3	MS606-1-1A.2.3	MS606-1-2P.2.3



基本尺寸		产品型号及特性	
Dimension		Product Number	
L1	127	压铸锌	MS607-1-1
L2	117	压铸铝	MS607-1-1.2
L3	107	压铸铝	MS607-1-1.2
L4	97	压铸铝	MS607-1-1.2
L5	87	压铸铝	MS607-1-1.2
L6	77	压铸铝	MS607-1-1.2

材质: 锌合金压铸, 镀锌钢板, 铜板;  
锁舌材料厚度: 1-3mm;  
Material: Zinc die-casting body, S. C. Zinc plating cam, fitting parts;  
Pawl thickness: 1-3mm



MS606-1-1 MS606-1-2



MS606-1-2P



MS607-1-1



MS607-2-1



MS607-3-1



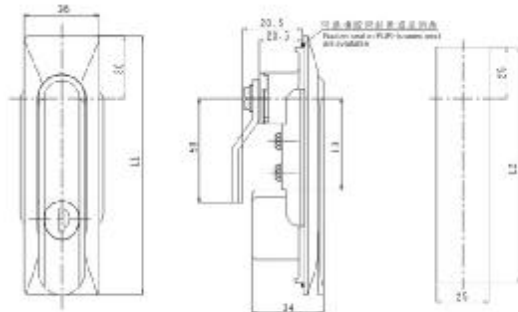
K336

**PLANE LOCK SERIES 平面锁系列**

**PLANE LOCK SERIES 平面锁系列**



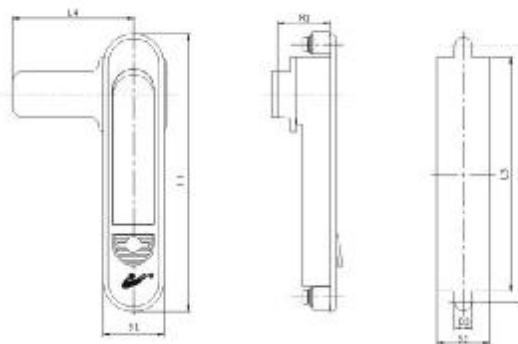
MS826-1-1 MS826-2-1



基本尺寸 Dimension			产品型号及特征 Product & Feature		
L1	L2	L3	颜色/颜色/颜色 Color/Color/Color	材质/材质 Material	备注: 1. 40mm 体, 符合标准, 镀锌钢板, 铜制; 2. 平面锁厚度: 1.5mm; 3. 固定孔距: 17mm, 安装孔距: 17mm
78	78	88.5	MS826-1-1	MS826-1-1	Material: 40 body, H.S. 7 for plating com. fixing parts. Panel thickness: 1.5mm
78	78	88	MS826-2-1	MS826-2-1	Material: 40 body, H.S. 7 for plating com. fixing parts. Panel thickness: 1.5mm



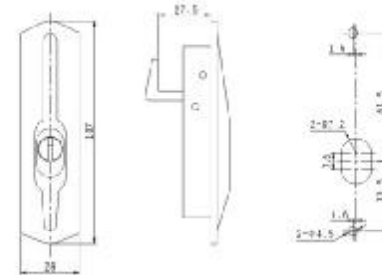
MS610-1-1 MS610-2-1



基本尺寸 Dimension			产品型号及特征 Product & Feature							
L1	L2	L3	L4	S1	S2	S3	H1	颜色/颜色 Color/Color	材质/材质 Material	备注: 1. 40mm 体, 符合标准, 镀锌钢板, 铜制; 2. 平面锁厚度: 1.5mm; 3. 固定孔距: 17mm, 安装孔距: 17mm
148	123.5	110	41.5	31	28.5	23.5	27	MS610-1-1	MS610-1-1	Material: 40 body, H.S. 7 for plating com. fixing parts. Panel thickness: 1.5mm
145	115	79.5	52	30.5	22.5	7	25	MS610-2-1	MS610-2-1	Material: 40 body, H.S. 7 for plating com. fixing parts. Panel thickness: 1.5mm
133.5	70	68	50	30.5	25	7	19	MS610-3-1	MS610-3-1	Material: 40 body, H.S. 7 for plating com. fixing parts. Panel thickness: 1.5mm



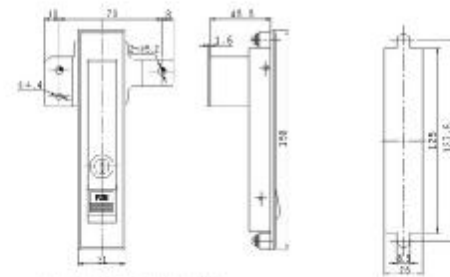
MS610-3-1 MS610-3-2



材质: 40mm 体, 符合标准, 镀锌钢板, 铜制;  
固定孔距: 17mm;  
备注: 符合标准, 镀锌钢板, 铜制;  
固定孔距: 17mm;  
安装孔距: 17mm



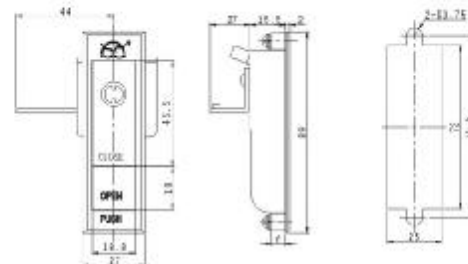
MS611



材质: 40mm 体, 符合标准, 镀锌钢板, 铜制;  
固定孔距: 17mm;  
备注: 符合标准, 镀锌钢板, 铜制;  
固定孔距: 17mm;  
安装孔距: 17mm



MS701



材质: 40mm 体, 符合标准, 镀锌钢板, 铜制;  
固定孔距: 17mm;  
备注: 符合标准, 镀锌钢板, 铜制;  
固定孔距: 17mm;  
安装孔距: 17mm



MS703

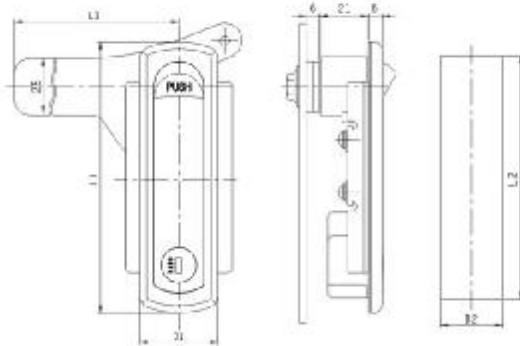
**PLANE LOCK SERIES 平面锁系列**



MS716-1-1



MS716-2-1

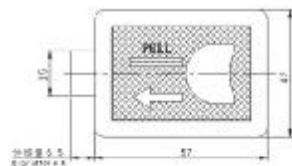
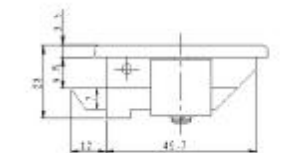


基本尺寸		产品型号及特性	
Dimension		Product Number	
L1	L2	L3	B1
155	141	140	30
115	183	100	34
			27

材质: 压铸铝合金, 压铸, 镀锌钢板, 锌板.  
适用门板厚度: 1-2mm  
Potential 2.0mm die casting body and steel H.S.  
2.0mm die-casting case, 1.5mm parts.  
Panel thickness: 1-2mm

**产品型号及特性**

材质: 压铸铝合金, 压铸, 镀锌钢板, 锌板.  
适用门板厚度: 1-2mm  
Material: 2.0mm die-casting body H.S.  
2.0mm die-casting case, 1.5mm parts.  
Panel thickness: 1-2mm

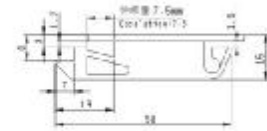


MS731-1-1

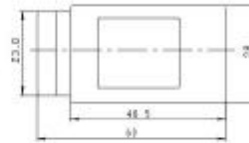


MS731-1-2

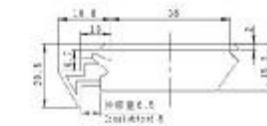
**PLANE LOCK SERIES 平面锁系列**



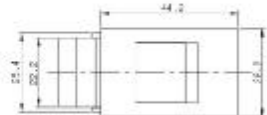
材质: ABS  
适用门板厚度: 1-2mm  
颜色: 黑色, 白色, 灰色  
Material: ABS  
Panel thickness: 1-2mm  
Remark: Black, white, gray



MS733-1



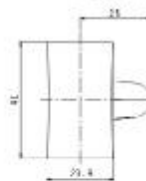
材质: ABS  
适用门板厚度: 1-2mm  
颜色: 黑色, 白色, 灰色  
Material: ABS  
Panel thickness: 1-2mm  
Remark: Black, white, gray



MS733-2



材质: PA-Glass  
适用门板厚度: 1.8-2.2mm  
颜色: 黑色, 白色, 灰色  
Material: PA-Glass body  
Panel thickness: 1.8-2.2mm  
Remark: Black, white, gray

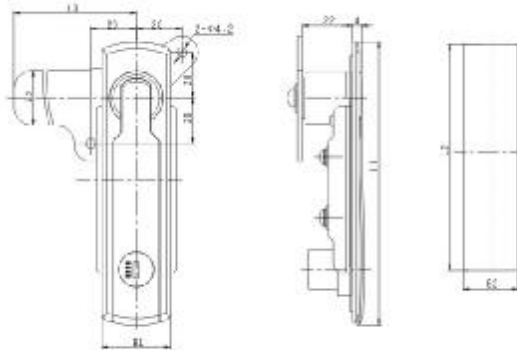


MS734



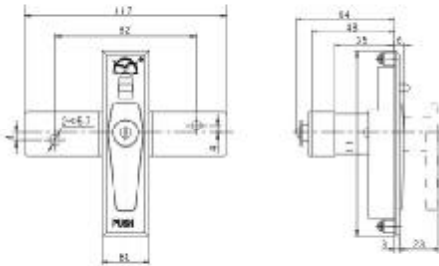


**PLANE LOCK SERIES 平面锁系列**



基本尺寸					产品型号及特性	
Dimension					Product Number	
L1	L2	L3	H1	H2	磁沙锁	
147	147	72	40	27	MS751-1-1,2	
121	95	55	40	24	MS751-C-1,2	
85	55	55	20.5	24	MS751-C-1,2	

材质: 铝合金壳体, 锌合金压铸, 铜制零件, 特制  
磁石门框厚度: 2.0mm  
Material: Al alloy shell, zinc die-casting parts, brass parts.  
Panel thickness: 2.0mm



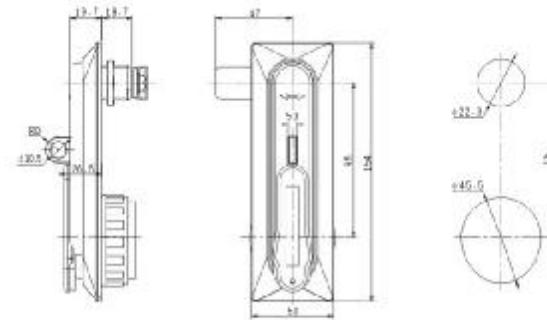
材质: 铝合金壳体, 锌合金压铸, 铜制零件, 特制  
磁石门框厚度: 1-4mm  
Material: Al alloy shell, zinc die-casting parts, brass parts.  
Panel thickness: 1-4mm

基本尺寸					产品型号及特性	
Dimension					Product Number	
L1	L2	L3	H1	H2	磁石锁	
149	121	115	26.5	26.5	MS801-1-1,2	
143	94	84	27	23	MS801-2-1,2	



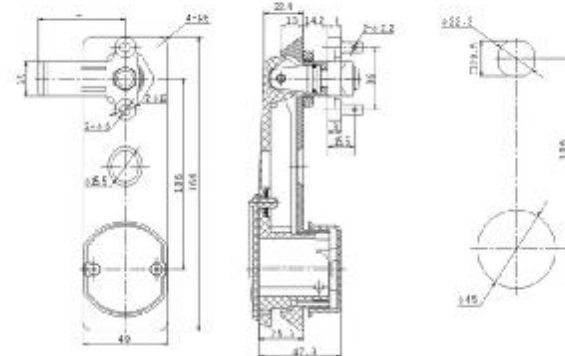
MS801-2-1

**PLANE LOCK SERIES 平面锁系列**



材质: 压铸铝壳体, 锌合金压铸, 铜制零件, 特制  
磁石门框厚度: 1-3mm  
Material: Al alloy shell, zinc die-casting parts, brass parts.  
Panel thickness: 1-3mm

锁芯系列	产品型号及特性			
	带磁石锁芯 with perlock		不带磁石锁芯 w/o perlock	
MS820	带磁石锁芯 with perlock	不带磁石锁芯 w/o perlock	带磁石锁芯 with perlock	不带磁石锁芯 w/o perlock
KD100A	MS820-1-10A	MS820-1-10A-S	MS820-1-1A	MS820-1-1A-S
KD130B	MS820-1-130A	MS820-1-130A-S	MS820-1-130	MS820-1-130-S
K701(C)	MS820-1-10C	MS820-1-10C-S	MS820-1-10	MS820-1-10-S
K703(D)	MS820-1-10D	MS820-1-10D-S	MS820-1-10	MS820-1-10-S



锁芯系列	产品型号及特性			
	带磁石锁芯 with perlock		不带磁石锁芯 w/o perlock	
MS821	带磁石锁芯 with perlock	不带磁石锁芯 w/o perlock	带磁石锁芯 with perlock	不带磁石锁芯 w/o perlock
MS821	带磁石锁芯 with perlock	不带磁石锁芯 w/o perlock	带磁石锁芯 with perlock	不带磁石锁芯 w/o perlock
A	MS821-1-10A	MS821-1-10A-S	MS821-1-10	MS821-1-10-S
B	MS821-1-10B	MS821-1-10B-S	MS821-1-10	MS821-1-10-S

材质: 压铸铝壳体, 锌合金压铸, 铜制零件, 特制  
磁石门框厚度: 1-4mm  
Material: Al alloy shell, zinc die-casting parts, brass parts.  
Panel thickness: 1-4mm



MS820-1-10

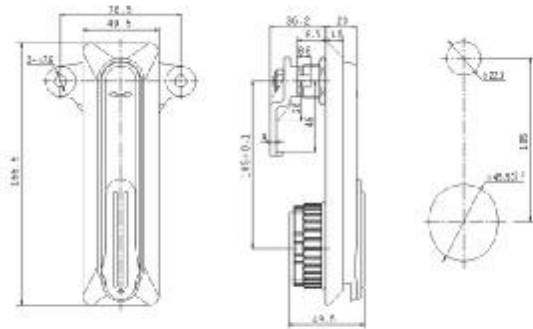


MS821-3-1

**PLANE LOCK SERIES 平面锁系列**



MS821-1-1B

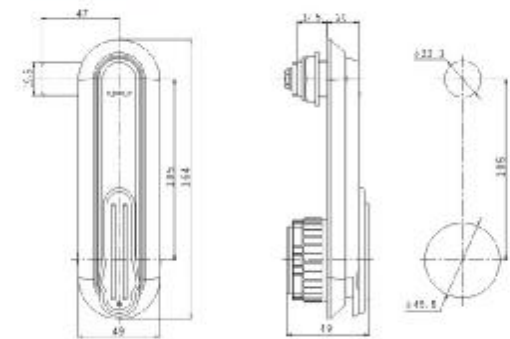


锁芯类别	产品型号及特性
Product Name	Product Name
55001 (Z)W	黑色锌合金 锌合金
55001 (A)	黑色锌合金 锌合金
55001 (B)	黑色锌合金 锌合金
55001 (C)	黑色锌合金 锌合金
55001 (D)	黑色锌合金 锌合金

材料: 黑色锌合金, 锌合金  
Material: plastic body, zinc alloy casting  
Panel: zinc alloy casting



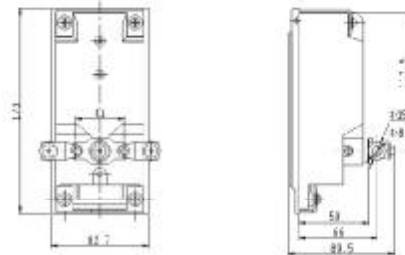
MS821-2-1B



锁芯类别	产品型号及特性
Product Name	Product Name
55001 (Z)W	黑色锌合金 锌合金
55001 (A)	黑色锌合金 锌合金
55001 (B)	黑色锌合金 锌合金
55001 (C)	黑色锌合金 锌合金
55001 (D)	黑色锌合金 锌合金

材料: 黑色锌合金, 锌合金  
Material: zinc die-casting body, zinc alloy casting  
Panel: zinc alloy casting

**PLANE LOCK SERIES 平面锁系列**

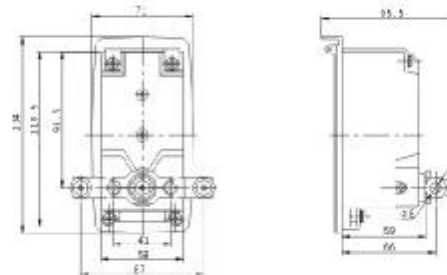


材料: 黑色锌合金, 锌合金  
Material: zinc die-casting body, zinc alloy casting  
Panel: zinc alloy casting

产品型号及特性	Product Name
MSH-01.3	黑色



MSH-01



材料: 黑色锌合金, 锌合金  
Material: zinc die-casting body, zinc alloy casting  
Panel: zinc alloy casting

产品型号及特性	Product Name
MSH-02.3	黑色

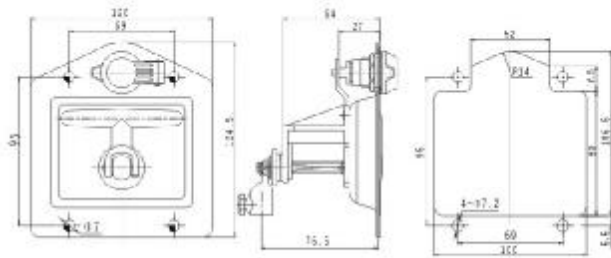


MSH-02

**PLANE LOCK SERIES 平面锁系列**



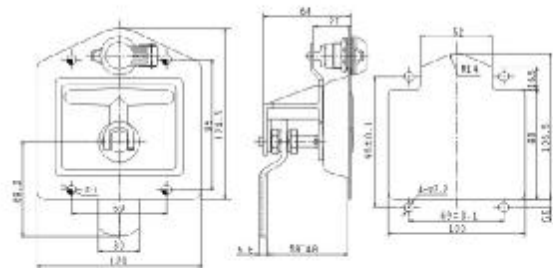
MSR30-1



铸铝平面锁锁面板, 铸铝手柄, 铸铝锁体  
aluminum surface stainless steel, P.S. Zinc plating handle  
zinc-plated cast iron



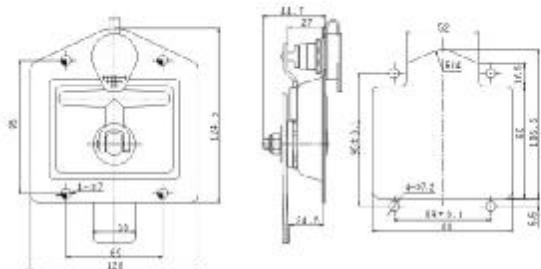
MSR30-2



铸铝锁面平锁锁面板, 铸铝手柄, 铸铝锁体  
aluminum surface stainless steel, P.S. Zinc plating handle, zinc-plated cast iron

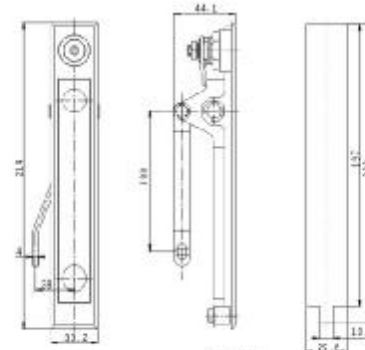


MSR30-3



铸铝锁面平锁锁面板, 铸铝手柄, 铸铝锁体  
aluminum surface stainless steel, P.S. Zinc handle, zinc-plated cast iron

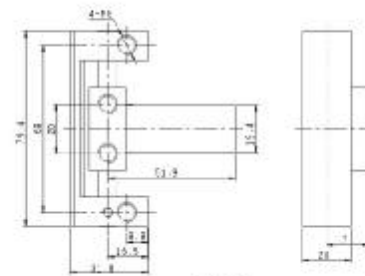
**PLANE LOCK SERIES 平面锁系列**



MSZ-01



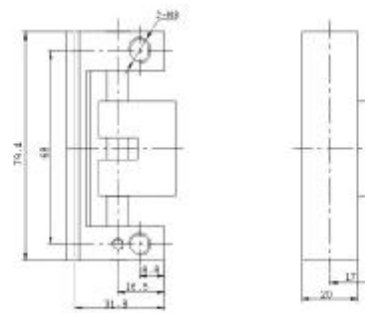
MSZ-01



MSZ-02



MSZ-02



MSZ-03



MSZ-03

铸铝, 铸铝手柄, 铸铝锁体, 铸铝  
铸铝, 铸铝手柄, 铸铝锁体  
Material: Zinc die-casting body, P.S. Zinc plating handle, zinc-plated cast iron



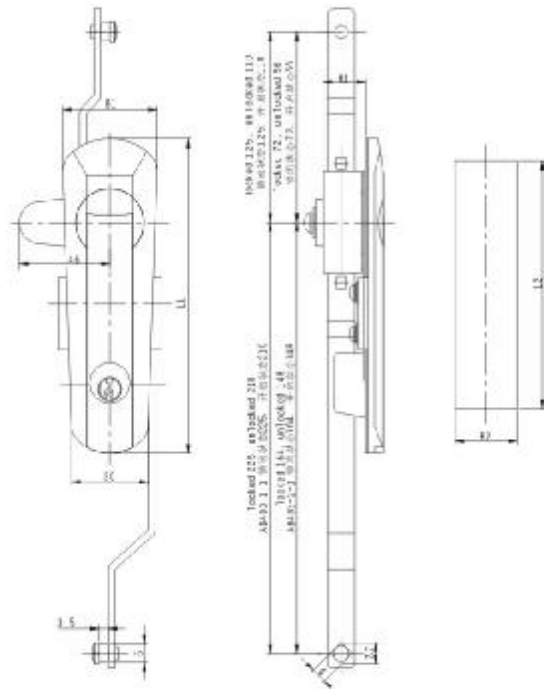
**ROD CONTROL LOCK SERIES 连杆锁系列**



AB403-1-1



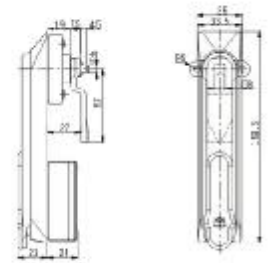
AB403-2-1



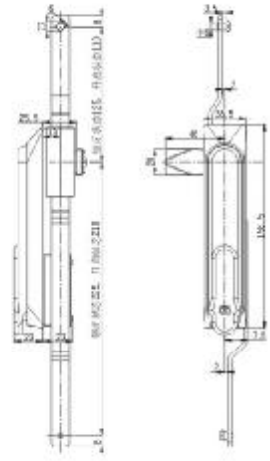
基本尺寸					产品型号特性
Dimensions					Product Name
L1	L2	B1	B2	H1	型号特点 (20)
100	121	43	27	28	AB403-1-1
121	98	24	10.5		AB403-2-1

材料: 铝合金外壳, 铁板, 镀锌铁板, 黄铜, 锌合金, 尼龙 (尼龙66, 1-666)  
颜色: 银灰色, 1-666  
备注: 尺寸 L1, L2, L3, L4  
型号: 1519-151-2166 CNP-0510100 3065 07C 5887C  
1-5-217C 0165192 0mm, 17x192 01651, 37x179 100  
95191 07100455-1-666  
备注: 尺寸 L1, L2, L3, L4

**ROD CONTROL LOCK SERIES 连杆锁系列**



MS100-3-1E 类



MS100-3-2A 类

材料: PA-66 壳, 镀锌铁板, 镀锌铁板, 黄铜, 锌合金, 尼龙 (尼龙66, 1-666)  
颜色: 银灰色, 1-666  
备注: 尺寸 L1, L2, L3, L4  
型号: 1519-151-2166 CNP-0510100 3065 07C 5887C  
1-5-217C 0165192 0mm, 17x192 01651, 37x179 100  
95191 07100455-1-666  
备注: 尺寸 L1, L2, L3, L4

材料: PA-66 壳, 镀锌铁板, 镀锌铁板, 黄铜, 锌合金, 尼龙 (尼龙66, 1-666)  
颜色: 银灰色, 1-666  
备注: 尺寸 L1, L2, L3, L4  
型号: 1519-151-2166 CNP-0510100 3065 07C 5887C  
1-5-217C 0165192 0mm, 17x192 01651, 37x179 100  
95191 07100455-1-666  
备注: 尺寸 L1, L2, L3, L4

锁体系列	单点式门锁		多点式门锁		三点式门锁	
	(不锈钢, 不锈钢件)	(不锈钢, 不锈钢件)	(不锈钢, 不锈钢件)	(不锈钢, 不锈钢件)	(不锈钢, 不锈钢件)	(不锈钢, 不锈钢件)
12189W	MS100-3-1A	MS100-3-1A-0	MS100-3-2A	MS100-3-2A-0	MS100-3-2A-0	MS100-3-2A-0
13113D	MS100-3-1B	MS100-3-1B-0	MS100-3-2B	MS100-3-2B-0	MS100-3-2B-0	MS100-3-2B-0
17018 D1	MS100-3-1C	MS100-3-1C-0	MS100-3-2C	MS100-3-2C-0	MS100-3-2C-0	MS100-3-2C-0
17018 D1	MS100-3-1D	MS100-3-1D-0	MS100-3-2D	MS100-3-2D-0	MS100-3-2D-0	MS100-3-2D-0
13301 E1	MS100-3-1E	MS100-3-1E-0	MS100-3-2E	MS100-3-2E-0	MS100-3-2E-0	MS100-3-2E-0



MS100-3-1E



MS100-3-2A

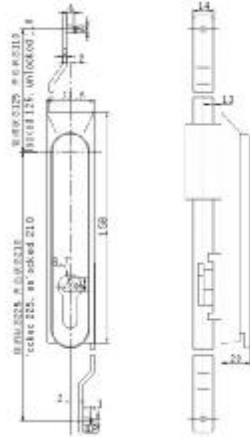


K0130 K7030 K7050

**ROD CONTROL LOCK SERIES 连杆锁系列**



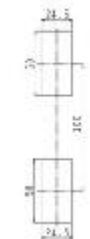
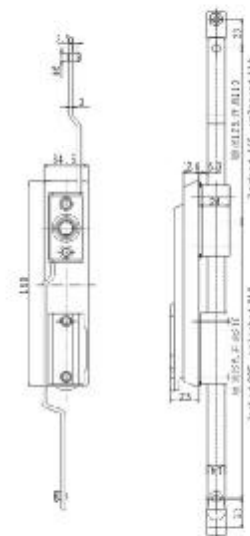
ABB100-3



材料: 304不锈钢, 黄铜锁芯,  
黄铜传动轴, 铜片, 黄铜衬套等。  
锁芯防钻厚度: 1-2mm  
防钻孔径: 2-3mm  
Material: 304 stainless steel, brass shaft,  
M.S. 2mm plating shaft, cam, M.S.  
nickel plate driver  
Panel thickness: 1-2mm  
Remark: cam cutout 1.5\*2

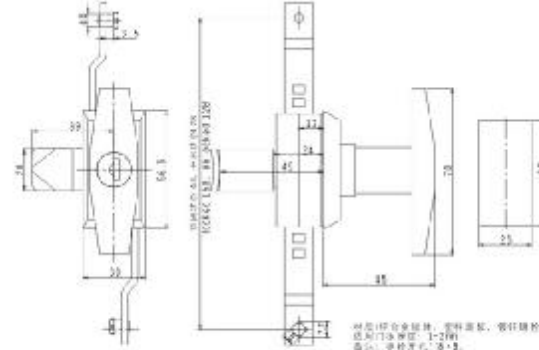


MS100-3A



材料: 304不锈钢, 黄铜轴, 黄铜衬套等。  
锁芯: 铜片, 黄铜衬套等。  
锁芯防钻厚度: 1-2mm  
Material: 304 stainless steel, brass shaft, M.S. 2mm  
plating shaft, cam, M.S. 2mm nickel plating driver rod.  
Panel thickness: 1-2mm

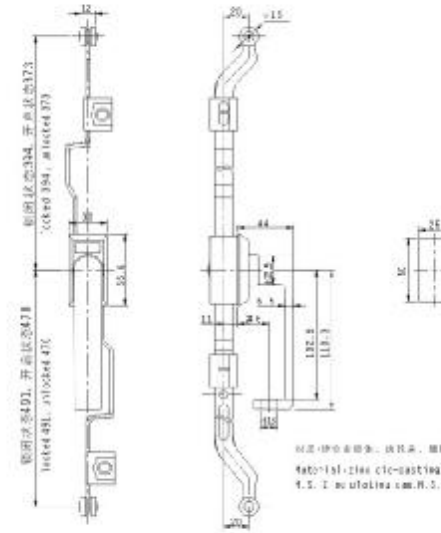
**ROD CONTROL LOCK SERIES 连杆锁系列**



材料: 压铸铝壳体, 黄铜轴芯, 黄铜衬套, 黄铜传动轴。  
锁芯防钻厚度: 1-2mm  
防钻孔径: 2-3mm  
Material: zinc die-casting body, brass shaft,  
M.S. 2mm plating cam, M.S. 2mm nickel plating driver rod.  
Panel thickness: 1-2mm  
Remark: cam cutout 1.5\*2



MS102-1

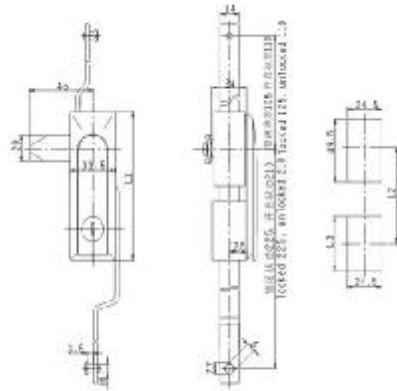


材料: 压铸铝壳体, 黄铜轴, 黄铜衬套等。  
Material: zinc die-casting body,  
M.S. 2mm plating cam, M.S. 2mm nickel plating driver rod.



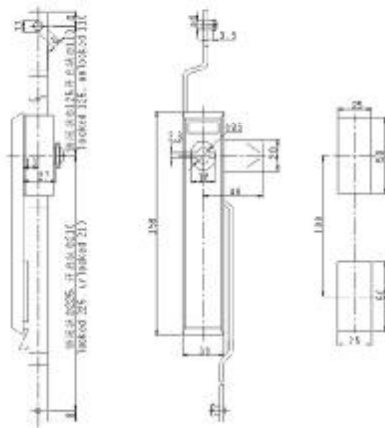
MS102C

**ROD CONTROL LOCK SERIES 连杆锁系列**



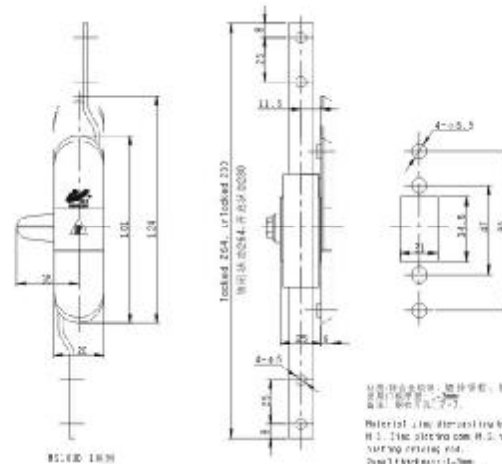
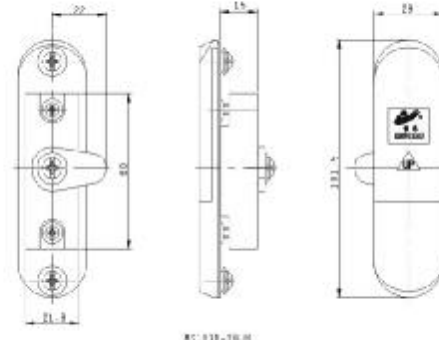
基本尺寸			产品型号及特性	
Dimension	L1	L2	Product Number	Product Number
		-3	单点锁具	三点锁
			单点锁具	三点锁具
152	14.5	48.5	MR103-1-1-3	MR103-1-1-2
131	74	48.5	MR103-2-1-2	MR103-2-1-2
154	88	24.8	MR103-3-1-3	MR103-3-1-2

材料: 304 不锈钢  
表面处理: 喷砂/电泳  
总长: 152mm  
Material: 316 or 304 stainless steel  
Plating: electrocoat  
Total length: 152mm



材料: PA-12 塑料, 304 不锈钢  
表面处理: 喷砂/电泳  
Material: PA-12 body, 316 or 304 stainless steel  
Plating: electrocoat

**ROD CONTROL LOCK SERIES 连杆锁系列**



材料: 304 不锈钢, 镀锌钢板, 镀锌不锈钢  
表面处理: 喷砂/电泳  
Material: 316 or 304 stainless steel, H.S. Zinc plating steel, H.S. zinc plating stainless steel  
Total length: 152mm  
Work: electrocoat, 316/17

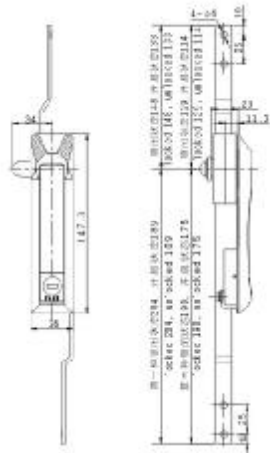
产品型号及特性 Product Number			
一字钥匙	十字钥匙	三角钥匙	三角钥匙
一字锁	十字锁	三角锁	三角锁
MS103D-1-1	MS103D-2-1	MS103D-1-2	MS103D-2-2





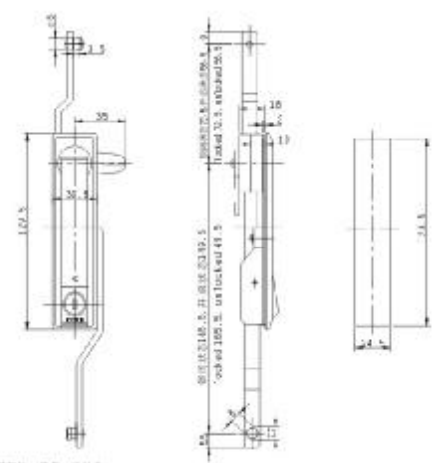
**ROD CONTROL LOCK SERIES 连杆锁系列**

**ROD CONTROL LOCK SERIES 连杆锁系列**



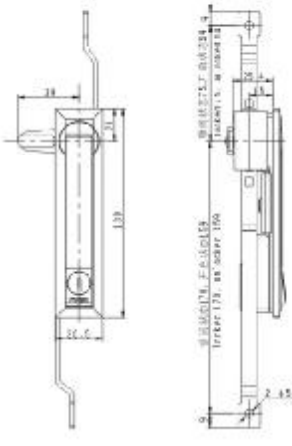
产品型号及特性 Product Number

型号	锁芯等级	最大长度
MS450-1-1-2	MS450-1-1-2	MS450-1-1-2



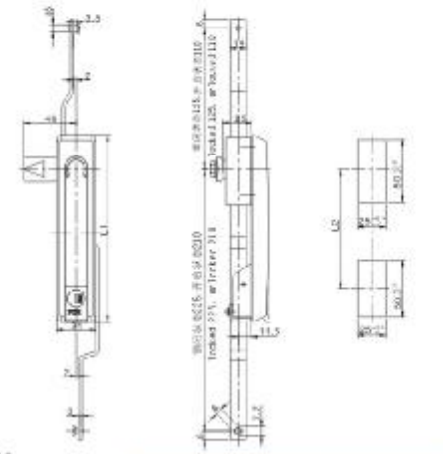
产品型号及特性 Product Number

型号	锁芯等级	最大长度
MS462-1-1-2	MS462-1-1-2	MS462-1-1-2



产品型号及特性 Product Number

型号	锁芯等级	最大长度
MS451-1-1	MS451-1-1	MS451-1-1

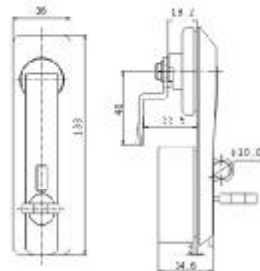


基本尺寸 Dimensions

型号	锁芯等级	最大长度
MS761-1-1	MS761-1-1	MS761-1-1



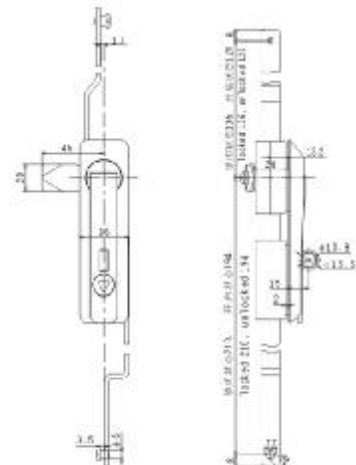
**ROD CONTROL LOCK SERIES 连杆锁系列**



MS463-1-1系列

材质: 锌合金压铸, 压铸  
表面处理: 电泳  
规格: 1-2-3mm  
厚度: 1.2-3mm  
备注: 可定制 CEN

Material: zinc die casting body and shaft  
N. S. Zinc plating over plating parts  
Face thickness: 1.2-3mm  
Remark: can custom CEN



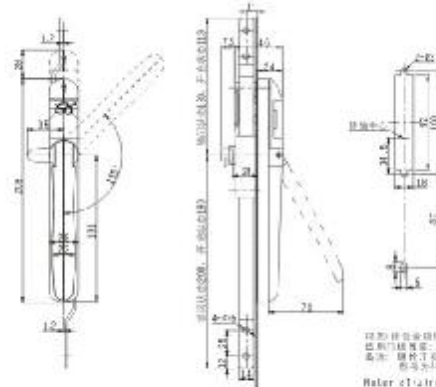
MS463-1-2B系列

材质: 锌合金压铸, 压铸  
表面处理: 电泳  
规格: 1-2-3mm  
厚度: 1.2-3mm  
备注: 可定制 CEN

Material: zinc die-casting body and shaft  
N. S. Zinc plating over plating parts  
Face thickness: 1.2-3mm  
Remark: can custom CEN

锁芯类型 Insert type	产品型号及特性 Product Number			
	规格: 1mm 厚度: 1.2mm	规格: 2mm 厚度: 2mm	规格: 3mm 厚度: 3mm	规格: 4mm 厚度: 4mm
K333(A)	MS463-1-1A-1	MS463-1-1A-2	MS463-1-1A-3	MS463-1-1A-4
K700(B)	MS463-1-2B-1	MS463-1-2B-2	MS463-1-2B-3	MS463-1-2B-4

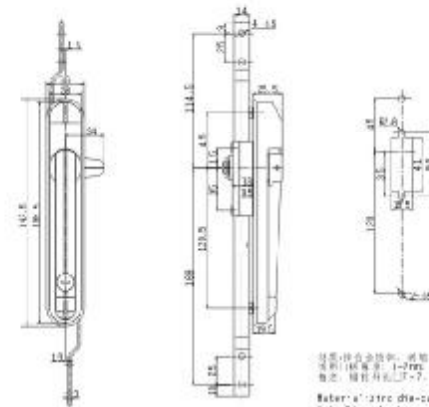
**ROD CONTROL LOCK SERIES 连杆锁系列**



材质: 锌合金压铸, 压铸  
表面处理: 电泳  
规格: 1-2-3mm  
厚度: 1.2-3mm  
备注: 可定制 CEN

Material: zinc die-casting body and shaft  
N. S. Zinc plating over plating parts  
Face thickness: 1.2-3mm  
Remark: can custom CEN

产品型号及特性 Product Number			
规格: 1mm 厚度: 1.2mm	规格: 2mm 厚度: 2mm	规格: 3mm 厚度: 3mm	规格: 4mm 厚度: 4mm
MS463-1-2	MS463-1-2	MS463-1-2	MS463-1-2



材质: 锌合金压铸, 压铸  
表面处理: 电泳  
规格: 1-2-3mm  
厚度: 1.2-3mm  
备注: 可定制 CEN

Material: zinc die-casting body and shaft  
N. S. Zinc plating over plating parts  
Face thickness: 1.2-3mm  
Remark: can custom CEN

产品型号及特性 Product Number	
规格: 1mm 厚度: 1.2mm	规格: 2mm 厚度: 2mm

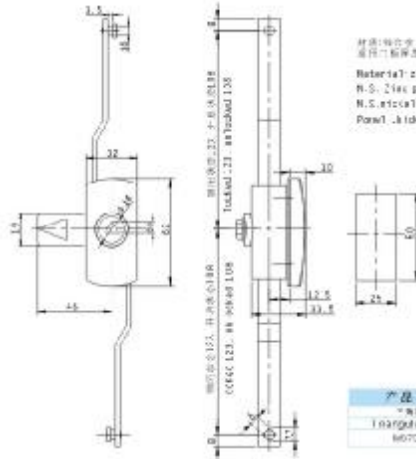


**ROD CONTROL LOCK SERIES 连杆锁系列**

**ROD CONTROL LOCK SERIES 连杆锁系列**

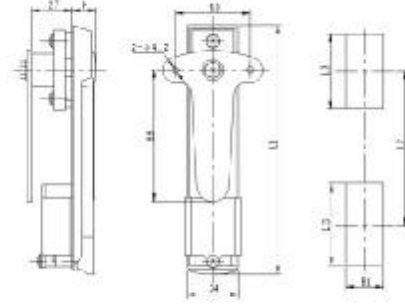


MS730



材质:压铸铝壳体, 压铸钢制, 镀锌钢板制;  
密封门框厚度: 1-3mm.  
Material: zinc die-casting body,  
N.S. zinc plating case fixing parts,  
N.S. electroplating driving rod.  
Frame thickness: 1-3mm.

产品型号及特性 Product No.	
产品号	特性
MS730-1	镀锌板
MS730-2	镀锌板+不锈钢



材质:压铸铝壳体, 镀锌钢板, 镀锌;  
密封门框厚度: 1-4mm.  
Material: zinc die-casting body,  
N.S. zinc plating case fixing parts,  
Frame thickness: 1-4mm.  
Frame: zinc plating.

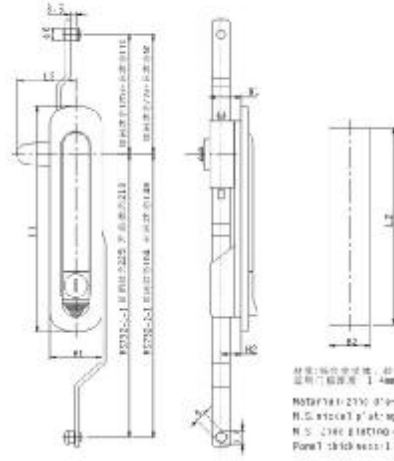
基本尺寸 Dimension		产品型号及特性 Product No.				
L1	L2	L3	B1	H	锁芯位置 Key Slot	锁芯长度 Key Length
100	100	50	25	18	MS740-1-1	PC740 1 L 1 2
106	74	45.5	24.5	18	MS740-2-1	PC740 2 L 1 2



MS740-1-1 MS740-2-1

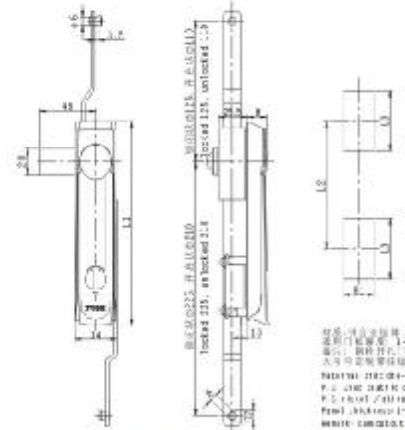


MS732-1-1 MS732-2-1



材质:压铸铝壳体, 压铸钢制, 镀锌, 镀锌钢板制;  
密封门框厚度: 1-4mm.  
Material: zinc die-casting body,  
N.S. zinc plating case fixing parts,  
N.S. electroplating driving rod.  
Frame thickness: 1-4mm.

基本尺寸 Dimension		产品型号及特性 Product No.				
L1	L2	L3	B1	H	锁芯位置 Key Slot	锁芯长度 Key Length
148	108	48	25	18	MS732-1-1	MS732-1-1
140	110	45	25	18	MS732-2-1	MS732-2-1



材质:压铸铝壳体, 压铸钢制, 镀锌, 镀锌钢板制;  
密封门框厚度: 1-4mm.  
Material: zinc die-casting body,  
N.S. zinc plating case fixing parts,  
N.S. electroplating driving rod.  
Frame thickness: 1-4mm.  
Frame: zinc plating.

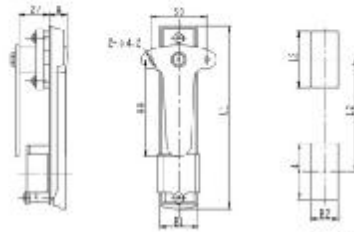
基本尺寸 Dimension		产品型号及特性 Product No.				
L1	L2	L3	B1	H	锁芯位置 Key Slot	锁芯长度 Key Length
100	100	50	25	18	MS742-1-1	MS742-1-1
106	74	45.5	24.5	18	MS742-2-1	MS742-2-1



MS742-1-1 MS742-2-1

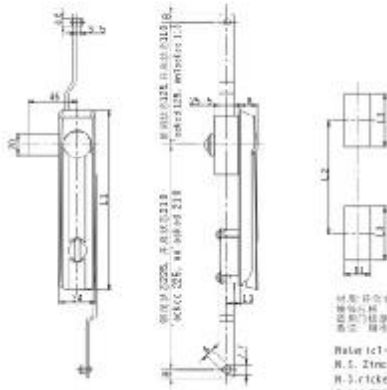


**ROD CONTROL LOCK SERIES 连杆锁系列**



材质: 铝合金压铸, 镀锌钢板, 黄铜;  
表面处理: 电泳, 喷塑;  
备注: 镀锌钢板 20+8  
Material: zinc die-casting body,  
N.S. Zinc plating case, yellow parts  
Paint thickness: 1-4mm

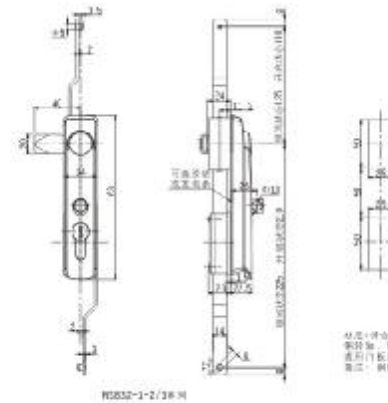
基本尺寸 Dimensions						产品型号及特性 Product number	
L1	L2	L3	L4	B1	B2	合金表面 Key's surface coated	锁芯位 Key hole fitting
150	40.2	50	34	25	15	H744-1-1-A	H744-1-1-2
130	34	45.5	45.5	34	24.8	H744-2-1-A	H744-2-1-2
181	68	48.5	24.5	30	24.8	H744-3-1-A	H744-3-1-2



材质: 铝合金压铸, 黄铜;  
表面处理: 电泳, 喷塑;  
备注: 镀锌钢板 20+8  
Material: zinc die-casting body,  
N.S. Zinc plating case, yellow parts  
N.S. nickel plating of zinc rod  
Paint thickness: 1-4mm  
Remark: can accept CR-8

基本尺寸 Dimensions						产品型号及特性 Product number	
L1	L2	L3	B1	B2	H	合金表面 Key's surface coated	锁芯位 Key hole fitting
142	40.5	53	25	15	15	H742-1-1-A	H742-1-1-2
126	34	48.4	24.5	14	14	H742-2-1-A	H742-2-1-2

**ROD CONTROL LOCK SERIES 连杆锁系列**



材质: 铝合金压铸, 镀锌钢板, 黄铜;  
表面处理: 电泳, 喷塑;  
备注: 镀锌钢板 20+8  
Material: zinc die-casting body,  
N.S. Zinc plating case, yellow parts  
Paint thickness: 1-4mm

锁芯系列 Key series	产品型号及特性 Product number	
	双舌式门锁 (非锁芯, 不带倒钩) Double-tongued lock (non-key, no hook)	单舌式门锁 (带锁芯, 带倒钩) Single-tongued lock (with key, with hook)
*K1000A	MS000-1-2A MS000-1-2A G MS000-1-3A MS000-1-3A G	
*K1000B	MS000-1-2B MS000-1-2B G MS000-1-3B MS000-1-3B G	
*K1000C	MS000-1-2C MS000-1-2C G MS000-1-3C MS000-1-3C G	
*K1000D	MS000-1-2D MS000-1-2D G MS000-1-3D MS000-1-3D G	

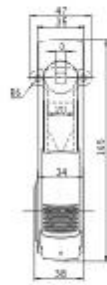


**ROD CONTROL LOCK SERIES 连杆锁系列**

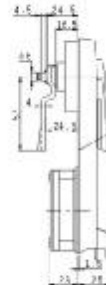
**ROD CONTROL LOCK SERIES 连杆锁系列**



MS822-1-1B

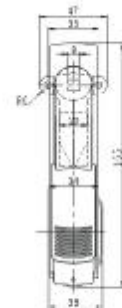


MS822-1-1B图

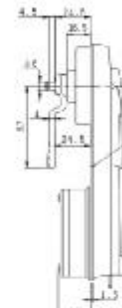


可任意选择安装  
2.0mm (0.0787")  
2.5mm (0.0984")  
3.0mm (0.1181")

材质: PA-66 铸体, 铜插销, 镀锌铜杆;  
适用门框厚度: 1-2mm;  
备注: 非标准品有另定价格不在此列  
Material: PA-66 body, brass shaft, M-4 zinc plating pin;  
Panel thickness: 1-2mm;  
Remark: DOY-A3007 - not a single unit available.



MS822-1-1B图

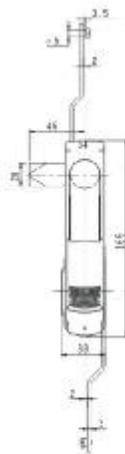


可任意选择安装  
2.0mm (0.0787")  
2.5mm (0.0984")  
3.0mm (0.1181")

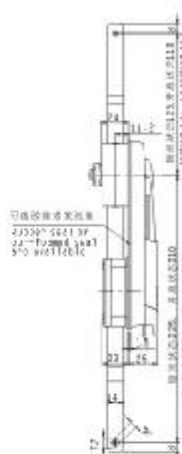
材质: PA-66 铸体, 铜插销, 镀锌铜杆;  
适用门框厚度: 1-2mm;  
备注: 非标准品有另定价格不在此列  
Material: PA-66 body, brass shaft, M-4 zinc plating pin;  
Panel thickness: 1-2mm;  
Remark: DOY-A3007 - not a single unit available.



MS823-1-1

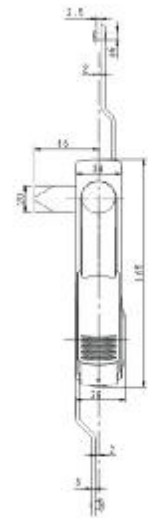


MS822-1-2图

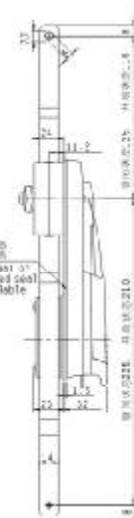


可任意选择安装  
2.0mm (0.0787")  
2.5mm (0.0984")  
3.0mm (0.1181")

材质: PA-66 铸体, 铜插销, 镀锌铜杆;  
适用门框厚度: 1-2mm;  
备注: 非标准品有另定价格不在此列  
Material: PA-66 body, brass shaft, M-4 zinc plating pin;  
Panel thickness: 1-2mm;  
Remark: COM-04747-0302



MS823-1-2图



可任意选择安装  
2.0mm (0.0787")  
2.5mm (0.0984")  
3.0mm (0.1181")

材质: PA-66 铸体, 铜插销, 镀锌铜杆;  
适用门框厚度: 1-2mm;  
备注: 非标准品有另定价格不在此列  
Material: PA-66 body, brass shaft, M-4 zinc plating pin;  
Panel thickness: 1-2mm;  
Remark: COM-04747-0302



MS823-1-2



KT001 KT010 KT015

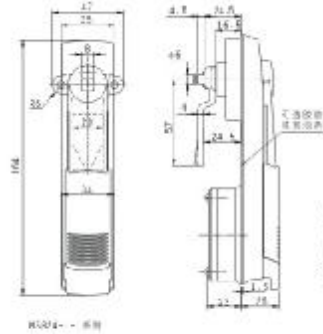
锁芯类别	产品型号及特性					
	半锁式门锁 (带钥匙, 不带拉杆)		双锁式门锁 (带拉杆, 不带钥匙)		三锁式门锁 (带钥匙, 带拉杆)	
黑色沙纹面	阳极氧化	黑色沙纹面	阳极氧化	黑色沙纹面	阳极氧化	
KT001	MS822-1-1A	MS822-1-1A-B	MS822-1-2A	MS822-1-2A-B	MS822-1-3A	
KT010	MS822-1-1-D	MS822-1-1-B-D	MS822-1-2-B	MS822-1-2-B-B	MS822-1-3-B	
KT015	MS822-1-1-C	MS822-1-1-C-B	MS822-1-2-C	MS822-1-2-C-B	MS822-1-3-C	
KT020	MS822-1-1-D	MS822-1-1-D-B	MS822-1-2-D	MS822-1-2-D-B	MS822-1-3-D	

产品型号及特性					
双锁式门锁 (带钥匙, 不带拉杆)		双锁式门锁 (带拉杆, 不带钥匙)		三锁式门锁 (带钥匙, 带拉杆)	
黑色沙纹面	阳极氧化	黑色沙纹面	阳极氧化	黑色沙纹面	阳极氧化
MS823-1-1	MS823-1-1-A	MS823-1-2	MS823-1-2-A	MS823-1-3	MS823-1-3-A

**ROD CONTROL LOCK SERIES 连杆锁系列**



MS824-1-1



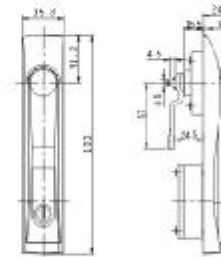
MS824-1-1系列

材质: PA-66锁体, 黄铜轴, 黄铜弹片,  
黄铜衬板厚度: 1-2mm  
备注: 黄铜衬板有带正负纹两种型号可供选择  
Material: PA-66 lock body, brass shaft,  
brass spring, brass plate  
Plate thickness: 1-2mm  
Remark: IC, IK10, fire ratings are available.

**ROD CONTROL LOCK SERIES 连杆锁系列**



MS825-1-1

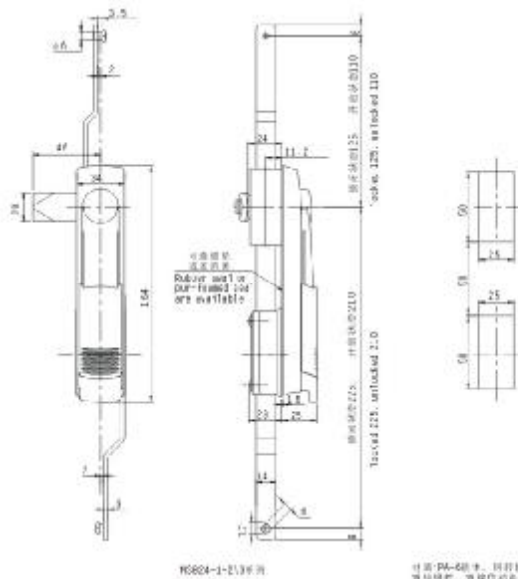


MS825-1-1系列

材质: PA-66锁体, 黄铜轴, 黄铜弹片,  
黄铜衬板厚度: 1-2mm  
备注: 黄铜衬板有带正负纹两种型号可供选择  
Material: PA-66 lock body, brass shaft,  
brass spring, brass plate  
Plate thickness: 1-2mm  
Remark: IC, IK10, fire ratings are available.



MS824-1-2

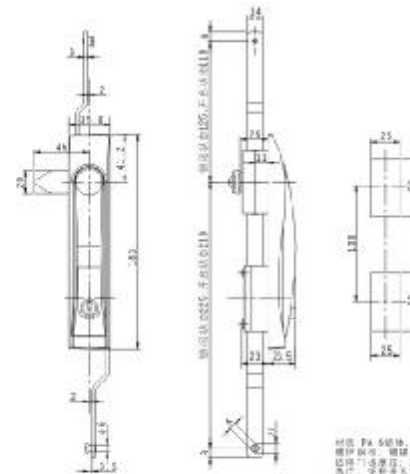


MS824-1-2/3系列

材质: PA-66锁体, 黄铜轴,  
黄铜弹片, 黄铜衬板厚度:  
黄铜衬板厚度: 1-2mm  
备注: 黄铜衬板有正负纹

产品型号及特性			
黑色式门轴 (黄铜轴, 不带弹片)	黑色式门轴 (黄铜轴, 不带弹片)	黑色式门轴 (黄铜轴, 带弹片)	黑色式门轴 (黄铜轴, 带弹片)
黑色式门轴 (黄铜轴, 带弹片)	黑色式门轴 (黄铜轴, 带弹片)	黑色式门轴 (黄铜轴, 带弹片)	黑色式门轴 (黄铜轴, 带弹片)
MS824-1-1	MS824-1-12	MS824-1-2	MS824-1-3

Material: PA-66 lock body, brass shaft,  
brass spring, brass plate  
Plate thickness: 1-2mm  
Remark: can contact OEM



MS825-1-2/3系列

材质: PA-66锁体, 黄铜轴,  
黄铜弹片, 黄铜衬板厚度:  
黄铜衬板厚度: 1-2mm  
备注: 黄铜衬板有正负纹  
Material: PA-66 lock body, brass shaft,  
brass spring, brass plate  
Plate thickness: 1-2mm  
Remark: can contact OEM

锁芯系列	产品型号及特性		
	黑色式门轴 (黄铜轴, 不带弹片)	黑色式门轴 (黄铜轴, 不带弹片)	黑色式门轴 (黄铜轴, 带弹片)
黑色式门轴 (黄铜轴, 带弹片)	黑色式门轴 (黄铜轴, 带弹片)	黑色式门轴 (黄铜轴, 带弹片)	黑色式门轴 (黄铜轴, 带弹片)
MS825-1-1	MS825-1-1A	MS825-1-2	MS825-1-3



MS825-1-2





**CAM LOCK SERIES 转舌锁系列**



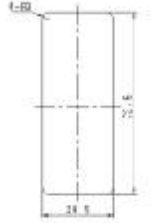
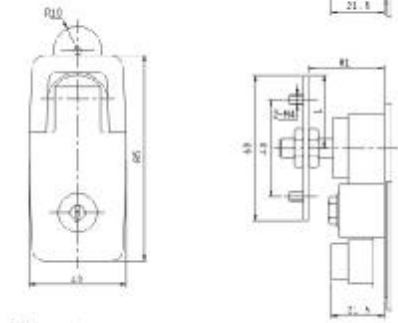
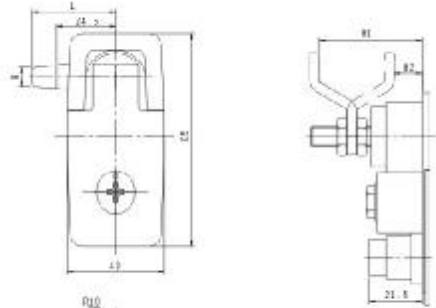
MS106-1-1



MS106-2-2



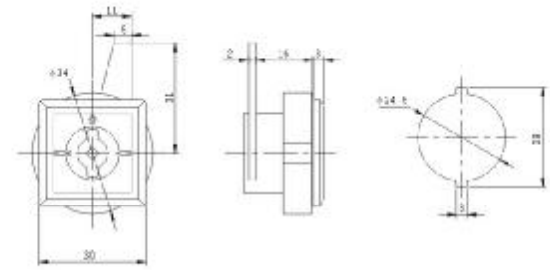
MS106-4-2



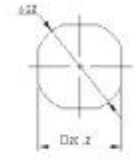
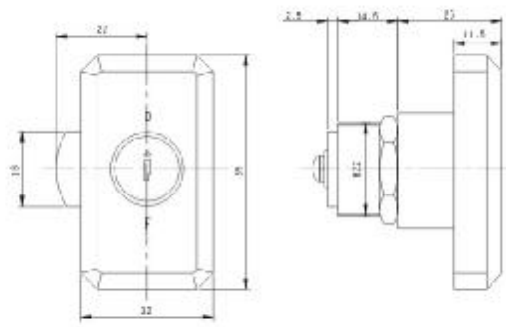
材料: 压铸铝, 镀锌, 锌合金嵌芯  
表面处理: 电泳, 仿铜厚0.3mm  
Potensial zinc die casting body, 8.5.  
Zinc plating cam, Pitting-proof  
For CE EN50070-1-3, 5mm  
material: zinc alloy body, 8.5mm  
zinc plating cam, Pitting-proof

基本尺寸 Dimension		产品型号及特性 Product Number									
锁舌类型 cam type	H1	H2	L	铝合金 die-casting body	锌合金 zinc alloy	锌合金 zinc alloy	锌合金 zinc alloy	锌合金 zinc alloy	锌合金 zinc alloy	锌合金 zinc alloy	锌合金 zinc alloy
106-1	31-41	25	25	MS106-1-1-0	MS106-2-1-0	MS106-3-1-0	MS106-4-1-0	MS106-1-1-2	MS106-2-1-2	MS106-3-1-2	MS106-4-1-2
106-2	36, 38, 39, 41	21.5	25	MS106-1-2-0	MS106-2-2-0	MS106-3-2-0	MS106-4-2-0	MS106-1-2-2	MS106-2-2-2	MS106-3-2-2	MS106-4-2-2
106-4	18, 20, 18, 40	21.5	25	MS106-1-3-0	MS106-2-3-0	MS106-3-3-0	MS106-4-3-0	MS106-1-3-2	MS106-2-3-2	MS106-3-3-2	MS106-4-3-2
106-4	18, 20, 18, 40	21.5	25	MS106-1-4-0	MS106-2-4-0	MS106-3-4-0	MS106-4-4-0	MS106-1-4-2	MS106-2-4-2	MS106-3-4-2	MS106-4-4-2

**CAM LOCK SERIES 转舌锁系列**



材料: 压铸铝, 镀锌, 锌合金嵌芯  
表面处理: 电泳, 仿铜厚0.3mm  
Material: zinc die-casting body, 8.5.  
Zinc plating cam  
For CE EN50070-1-3, 5mm  
material: zinc alloy body, 8.5mm  
zinc plating cam, Pitting-proof



产品型号及特性  
Product Number  
锁舌类型 cam type  
H1 H2 L  
MS238-1-1 MS238-1-2

材料: 压铸铝, 镀锌, 锌合金嵌芯  
表面处理: 电泳, 仿铜厚0.3mm  
Material: zinc die-casting body, 8.5.  
Zinc plating cam  
Zinc thickness: 0.3mm



MS200

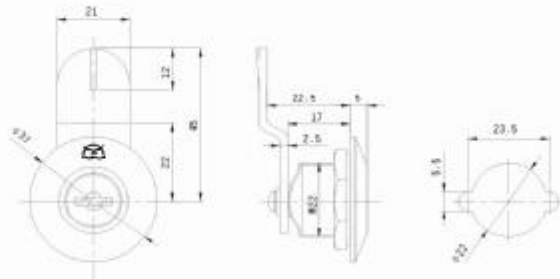


MS238-1-1



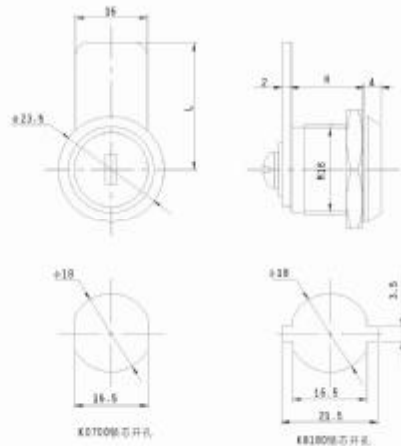
MS238-1-2

**CAM LOCK SERIES 转舌锁系列**



锁芯	产品型号及特性	材质、合金和塑料两种材料，镀锌钢插芯，钢壳，塑料插芯盖，塑料插芯盖
Insert	Product Number	Material: zinc die-casting and Plastic body zinc
锌合金插芯	塑料插芯	
zinc die-casting inserts	Plastic inserts	
K0400	MS401-1	MS401-1P(L)G
K8100	MS401-2	

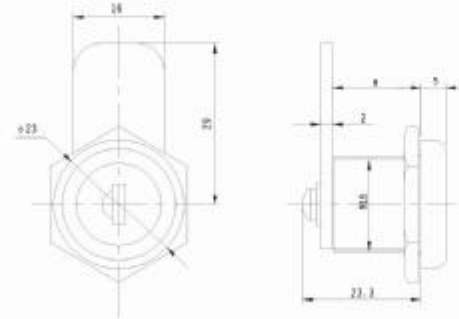
材质、合金和塑料两种材料，镀锌钢插芯，钢壳，塑料插芯盖，塑料插芯盖  
插芯门框厚: 1-6mm  
Panel thickness: 1-6mm



基本尺寸	产品型号及特性	材质、合金和塑料两种材料，镀锌钢插芯，钢壳，镀锌钢插芯盖，镀锌钢插芯盖
Dimension	Product Number	Material: zinc die-casting body, steel, zinc plating cover, zinc plating cover
L	M	
47.50	K07000 芯 K81000 芯	
39	00	MS402-1
29	20	MS402-2
29	16	MS402-3 MS402-3T

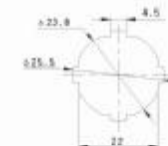
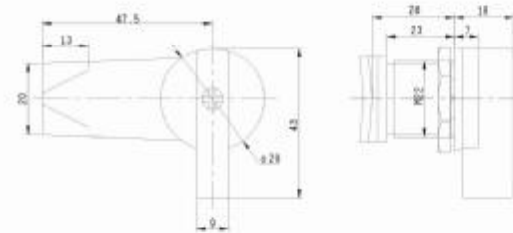
材质、合金和塑料两种材料，镀锌钢插芯，钢壳，镀锌钢插芯盖，镀锌钢插芯盖  
插芯门框厚: 1-15mm  
Material: zinc die-casting body, steel, zinc plating cover, zinc plating cover  
Panel thickness: 1-15mm

**CAM LOCK SERIES 转舌锁系列**



材质: 合金和塑料，镀锌，包不锈钢插芯，镀锌钢壳，镀锌钢壳  
插芯门框厚: 1-15mm  
备注: K8100插芯型号为: MS403-2GT  
Material: zinc die-casting body, steel, stainless steel face plate cover  
MS: zinc plating cover  
Panel thickness: 1-15mm

材质	产品型号及特性	备注
Dimension	Product Number	
H	包不锈钢插芯	镀锌钢
20	MS403-1	MS403-1G
18	MS403-2	MS403-2G

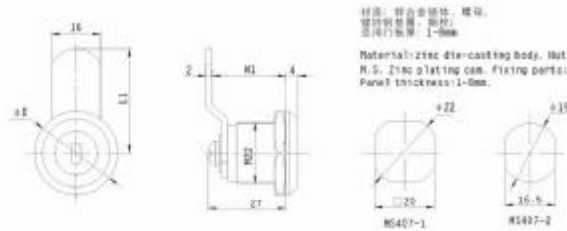


材质: PA-66 衬套，合金钢插芯，镀锌，镀锌钢壳，镀锌钢壳  
插芯门框厚: 1-7mm  
Material: PA-66 knob, zinc die-casting body, steel, zinc plating cover  
Panel thickness: 1-7mm

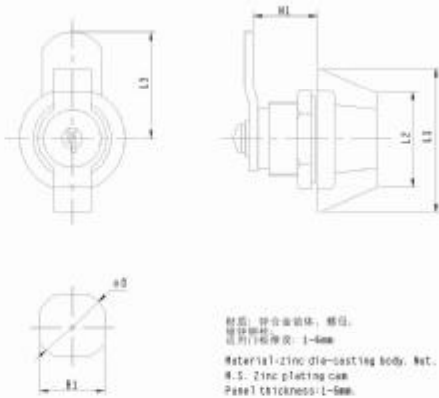




**CAM LOCK SERIES 转舌锁系列**

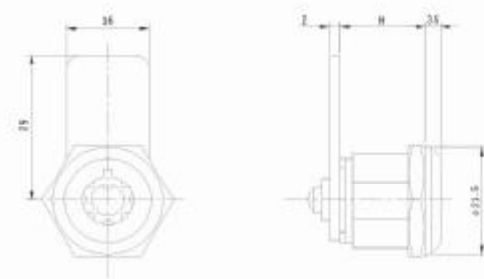


基本尺寸 Dimensions		产品型号及特性 Product Number	
L1	H1	±0	锌合金锁体 1mm 螺母 304 螺母长度 1-6mm K0200锁芯 K0200锁芯 K1600锁芯 K3200锁芯 锌合金锁体 1mm 螺母 304 螺母长度 1-6mm K0200锁芯 K0200锁芯
35	24	27	MS407-1 MS407-1C MS407-1P MS407-1CP MS407-1A MS407-1CA
29	18	23	MS407-2

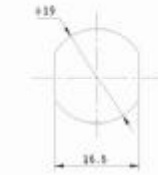


基本尺寸 Dimensions		产品型号及特性 Product Number						
L1	L2	L3	H1	H2	H3	有锁芯	无锁芯	特殊型
50	30.5	50	20	26.7	22	MS408-1-1	MS408-1-2	MS408-1-1T (50mm)
34	28	29	16.5	24.5	18.5	MS408-2-1		
32	21	24	14.2	14	16	MS408-3-1		MS408-3-1T (32mm)

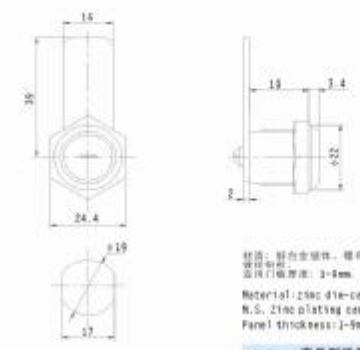
**CAM LOCK SERIES 转舌锁系列**



MS409-1



MS409-2

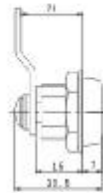
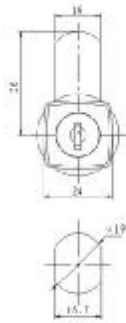


MS410

**CAM LOCK SERIES 转舌锁系列**



MS411

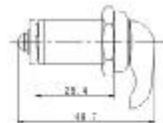
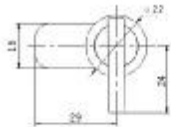


材质: 锌合金压铸, 镀铬, 镀锌钢芯, 钢制  
固定门框厚度: 1-2mm  
Material: zinc die-casting body, Mat.  
H.S. Zinc plating core/cover  
Panel thickness: 1-2mm

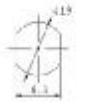
锁芯类别	产品编号
K01200芯 (高锰钢等)	MS411
K0288锁芯	VS411C



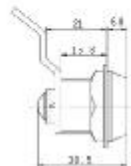
MS412



材质: 锌合金压铸, 镀铬, 镀锌钢芯,  
固定门框厚度: 1-20mm  
Material: zinc die-casting body, Mat.  
H.S. Zinc plating core, fixing parts  
Panel thickness: 1-20mm



MS413Y



材质: 锌合金压铸, 镀锌钢芯, 钢制  
固定门框厚度: 1-5mm  
Material: zinc die-casting body,  
H.S. Zinc plating core, steel  
Panel thickness: 1-5mm

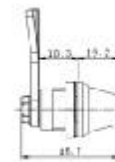
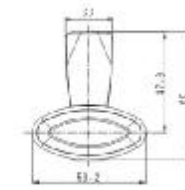


产品型号及特征 Product Number	
圆柄锁芯	圆形锁芯
Round handle	Round handle
锁芯	锁芯
Core	Core



MS413F

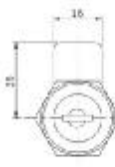
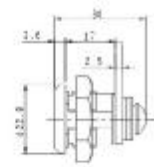
**CAM LOCK SERIES 转舌锁系列**



材质: 锌合金压铸, 镀铬, 镀锌钢芯,  
固定门框厚度: 1-2mm  
Material: zinc die-casting body, electroplating  
H.S. Zinc plating core  
Panel thickness: 1-2mm



MS414



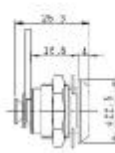
材质: 锌合金压铸, 镀铬, 镀锌钢芯,  
固定门框厚度: 1-2mm  
Material: zinc die-casting body, Mat.  
H.S. Zinc plating core  
Panel thickness: 1-2mm



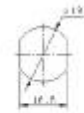
MS415



K0100



材质: 锌合金压铸, 镀铬, 镀锌钢芯, 钢制  
固定门框厚度: 1-2mm  
Material: zinc die-casting body, Mat.  
H.S. Zinc plating core, steel  
Panel thickness: 1-2mm



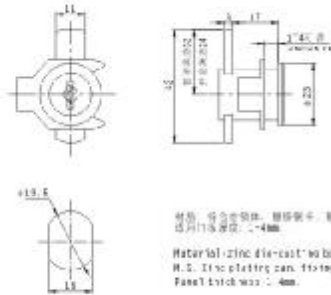
MS416



**CAM LOCK SERIES 转舌锁系列**



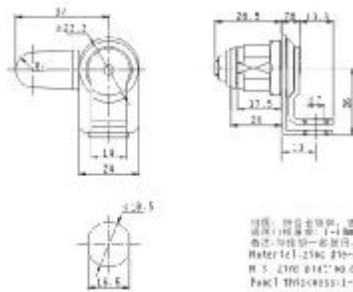
MS417



材质: 锌合金压铸, 镀锌钢板, 铜棒  
总长(不含锁芯): 44mm  
Material: zinc die-casting body,  
H.S. zinc plating cam, brass parts  
Panel thickness: 4mm



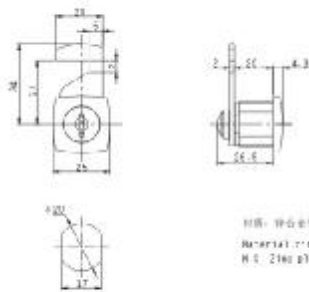
MS418



材质: 锌合金压铸, 镀锌钢板, 铜棒  
总长(不含锁芯): 44mm  
总长(含锁芯): 51mm  
Material: zinc die-casting body,  
H.S. zinc plating cam, brass parts  
Panel thickness: 4mm  
Remark: lock suitable for A.

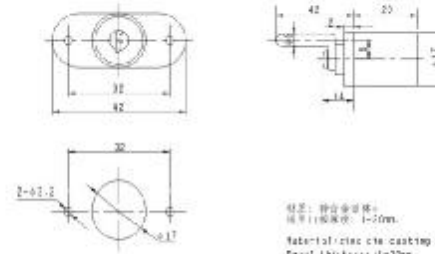


MS419



材质: 锌合金压铸, 镀锌钢板  
Material: zinc die-casting body,  
H.S. zinc plating cam

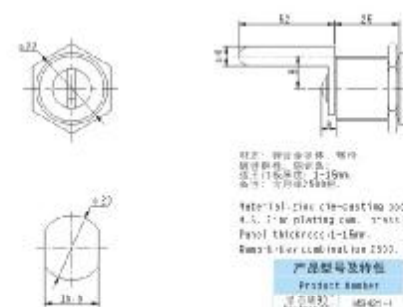
**CAM LOCK SERIES 转舌锁系列**



材质: 锌合金压铸  
总长(不含锁芯): 42mm  
Material: zinc die-casting body  
Panel thickness: 1.20mm



MS420

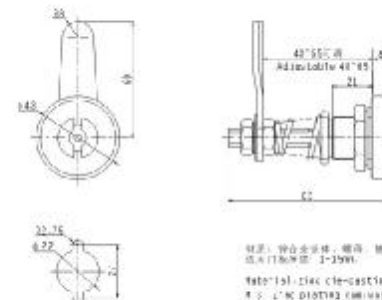


材质: 锌合金压铸, 铜棒  
镀锌钢板, 铜棒  
总长(不含锁芯): 42mm  
总长(含锁芯): 51mm  
Material: zinc die-casting body, H.S.  
zinc plating cam, brass key,  
Panel thickness: 1.5mm  
Remark: for combination lock

产品型号及特征	
Product number	
型号	MS421-1
特征	1-15mm
型号	MS421-2
特征	1-15mm



MS421



材质: 锌合金压铸, 铜棒, 镀锌钢板, 铜棒  
总长(不含锁芯): 42mm  
Material: zinc die-casting body, H.S.  
zinc plating cam, brass key,  
Panel thickness: 1.5mm



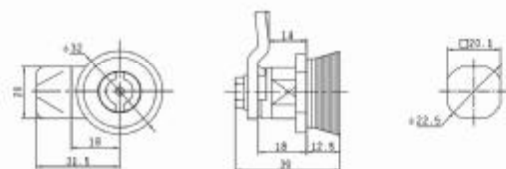
MS518



**CAM LOCK SERIES 转舌锁系列**



MS702

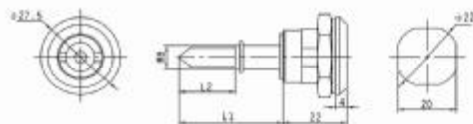


**产品型号及特性 Product Number**  
 蓝绿色 沙纹黑  
 bluish green Matt black powder coated  
 MS702-1 MS702-4

材质: 铝合金压铸, 镀锌钢件;  
 适用门板厚度: 1-5mm  
 Material: zinc die-casting body,  
 N.S. Zinc plating cam;  
 Panel thickness: 1-5mm.



MS704



**基本尺寸 Dimensions**

基本尺寸		产品型号及特性	
Dimensions		Product Number	
L1	L2	亮铬	orient chrome plating
		一字锁芯	904916 111 Insert
		三角锁芯	171904 141 Insert
39	18	MS704-1	
20.5	18.5	MS704-2	
30.8	18.3	MS704-4	
37	20.5	MS704-5	

材质: 铝合金压铸, 镀锌, 镀锌钢零件;  
 适用门板厚度: 1-5mm  
 Material: zinc die-casting body, Nit,  
 steel insert;  
 Panel thickness: 1-5mm.

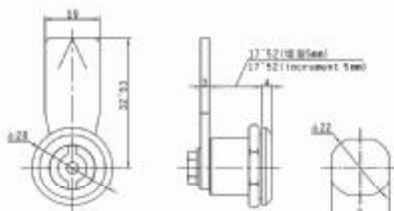


MS705-1-1

MS705-1-2



MS705-2-1S



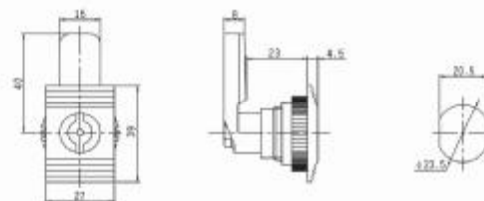
材质: 铝合金压铸, 镀锌钢件;  
 适用门板厚度: 1-5mm  
 备注: 本锁系列锁芯均通过公安部  
 检测合格, 公安部检测报告号:  
 GA-TD-01-2005

Material: Zinc die-casting and stainless steel lock  
 body are available.  
 Panel thickness: 1-5mm.

**颜色 锁芯形状 产品型号 B**

颜色	锁芯形状	产品型号	B
亮铬	一字芯	MS705-1-1	20
	一字芯	MS705-1-2	23
	三角芯	MS705-1-3	20
	一字芯	MS705-2-1	20.5
	三角芯	MS705-2-2	20.5
	四方芯	MS705-2-3	20.5
	三角芯	MS705-2-05	20.5
	一字芯	MS705-2-10	20.5
	亮铬	MS705-2-40	20.5
	四方芯	MS705-2-05	20.5

**CAM LOCK SERIES 转舌锁系列**



材质: 塑料壳体, 镀锌, 钢件;  
 适用门板厚度: 1.5-2mm  
 Material: plastic lock body, nut, key;  
 Panel thickness: 1.5-2mm.



MS705-3



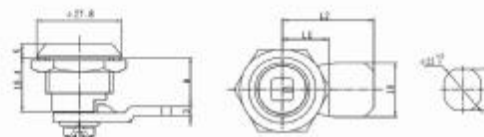
**基本尺寸 Dimensions**

基本尺寸	产品型号及特性
Dimensions	Product Number
H	亮铬
	Bright chrome plating
18	MS705-4-1
35	MS705-4-2
42	MS705-4-5

材质: 铝合金压铸, 镀锌钢件, 钢件;  
 适用门板厚度: 1-5mm  
 Material: zinc die-casting body,  
 N.S. Zinc plating cam, nut;  
 Panel thickness: 1-5mm.



MS705-4



**基本尺寸 Dimensions**

锁片类型 cam types	H	L1	L2	产品型号及特性	
				亮绿色	无光黑
四方芯	18.4	39	39	MS705-5-1	MS705-5-2
一字芯	18.4	39	39	MS705-5-3	MS705-5-4
三角芯	18.4	39	39	MS705-5-5	MS705-5-6
四方芯	18.4	39	39	MS705-5-7	MS705-5-8

材质: 铝合金压铸, 镀锌钢件, 钢件;  
 适用门板厚度: 1-5mm  
 Material: zinc die-casting body,  
 N.S. Zinc plating cam;  
 Panel thickness: 1-5mm.



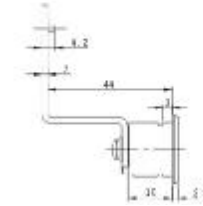
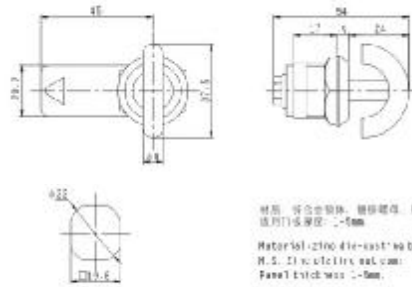
MS705-5

**CAM LOCK SERIES 转舌锁系列**

**CAM LOCK SERIES 转舌锁系列**



MS706



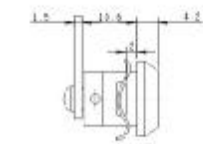
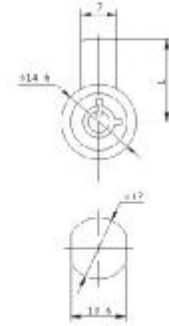
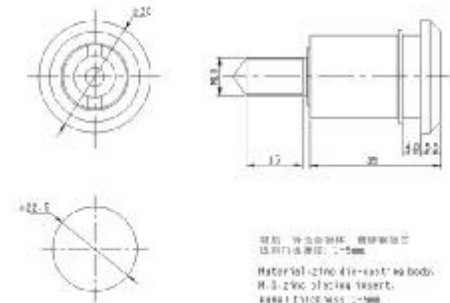
材料: 铝合金壳体, 镀锌钢板, 铜件;  
适用门厚度: 1-4mm  
Material: zinc die-cast body and H.S.  
zinc-plated steel cam; Panel  
thickness: 1-4mm.



MS706-2-1



MS707



材料: 铝合金壳体, 铜件, 镀锌钢板;  
适用门厚度: 1-5mm  
Material: zinc die-cast body and H.S.  
zinc-plated cam; Panel  
thickness: 1-5mm.



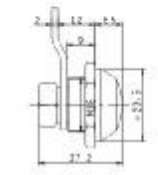
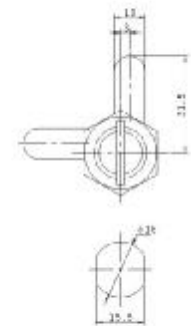
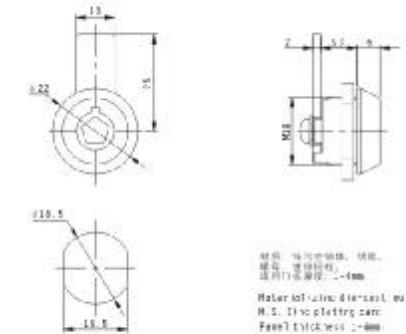
MS709-1R



MS709-1



MS708-1-1



材料: 铝合金壳体, 镀锌钢板, 铜件;  
适用门厚度: 2.5-4mm  
Material: zinc die-cast body,  
H.S. zinc-plated cam;  
Panel thickness: 2.5-4mm.

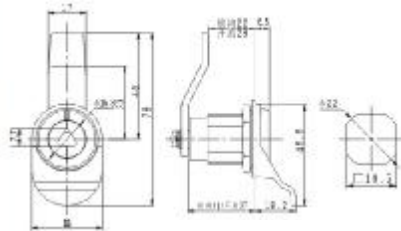


MS710

**CAM LOCK SERIES 转舌锁系列**



MS711-1-1

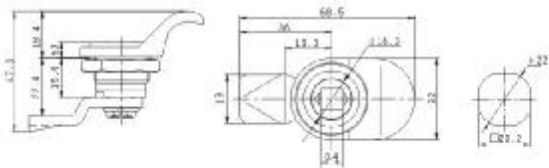


材质: 锌合金压铸, 镀铬  
PA-6尼龙, 镀锌钢板  
面板厚度: 1.5-2mm  
备注: 凡五金压铸件, 均重量 35mm  
Material: zinc die-casting body and key,  
PA-6 nylon, galv. steel plate  
Fixing parts:  
Panel thickness: 1.5-2mm  
Remark: compression lock 35mm full co.

产品型号及特性 Product Number			
全金属 Black powder coated	镀锌钢板镀锌	镀锌钢板镀锌	镀锌钢板镀锌
锁舌朝右	锁舌朝左	锁舌朝右	锁舌朝左
locked by turn right	locked by turn left	locked by turn right	locked by turn left
MS711-1-1-2	MS711-1-1R-2	MS711-1-1-1	MS711-1-1R-1



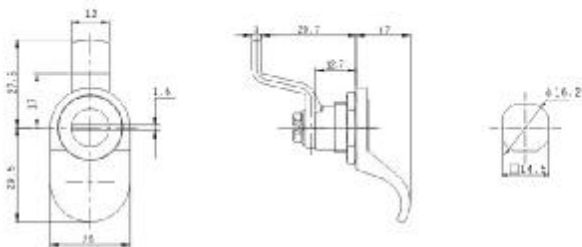
MS711-2-1



材质: 锌合金压铸, 镀铬  
PA-6尼龙, 镀锌钢板  
面板厚度: 1.5-2mm  
Material: zinc die-casting body and key,  
PA-6 nylon, galv. steel plate  
Panel thickness: 1.5-2mm

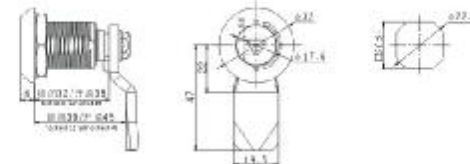


MS711-3-1



材质: 锌合金压铸, 镀铬  
PA-6尼龙, 镀锌钢板  
面板厚度: 1.5-2mm  
Material: zinc die-casting body and key,  
PA-6 nylon, galv. steel plate  
Panel thickness: 1.5-2mm

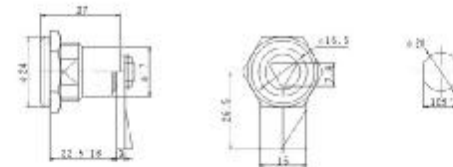
**CAM LOCK SERIES 转舌锁系列**



材质: 锌合金压铸, 镀铬  
PA-6尼龙, 镀锌钢板  
面板厚度: 1.5-2mm  
备注: 凡五金压铸件, 均重量 35mm  
Material: zinc die-casting body, insert,  
stainless steel material, bolt,  
4.5-2 no plating cam, fixing parts,  
Panel thickness: 1.5-2mm,  
Remark: compression lock, new full co.



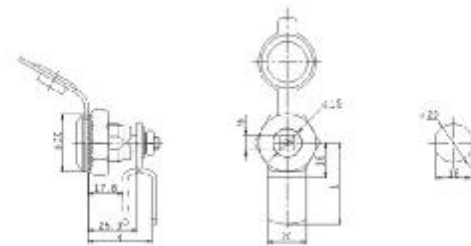
MS712



材质: 锌合金压铸, 镀铬  
PA-6尼龙, 镀锌钢板  
面板厚度: 1.5-2mm  
备注: 凡五金压铸件, 均重量 35mm  
Material: zinc die-casting body,  
4.5-2 no plating cam,  
Panel thickness: 1.5-2mm,  
Remark: compression lock, new full co.



MS713



基本尺寸 Dimension	产品型号及特性 Product Number
L	4 锁舌轴
40.5	35 MS717-1
30	25 MS717-2

材质: 锌合金压铸, 镀铬, 304, 316 不锈钢  
PA-6尼龙, 镀锌钢板  
面板厚度: 1.5-2mm  
Material: zinc die-casting body, 304, 316 stainless steel,  
PA-6 nylon, galv. steel plate  
Panel thickness: 1.5-2mm



MS717

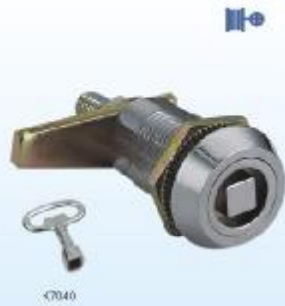




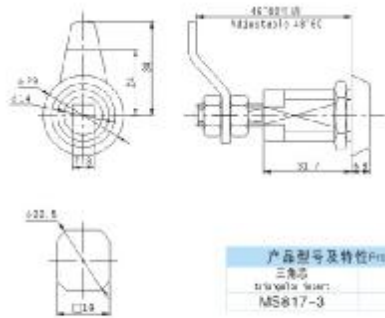




**CAM LOCK SERIES 转舌锁系列**



MS817-4



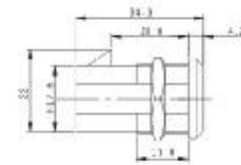
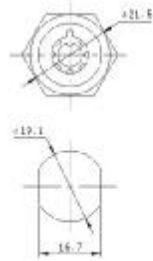
材质: 铝合金压铸, 镀铬, 磷化, 镀锌处理;  
适用门厚度: 1-6mm;  
高度: 30mm(无钥匙), 35mm(有钥匙);  
锁芯系列材料规格型号: MS817-4B;  
Waterfall zinc die-cast; no body, set and key;  
H.S. Zinc plating cam;  
Panel thickness: 1-6mm;  
Remark: cam for 1.5mm offset

**产品型号及特性 Product Number**

三合一	四方芯
MS817-3	MS817-4



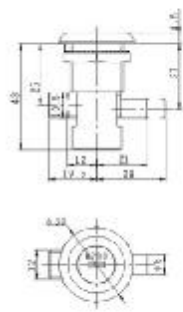
MS818-2



材质: 铝合金压铸, 镀铬, 磷化;  
适用门厚度: 1-6mm;  
Waterfall zinc die casting body, set, dead bolt;  
Panel thickness: 1-6mm

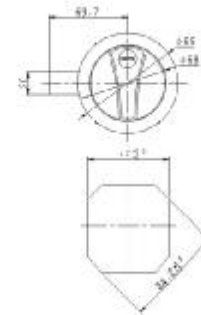


MS819



材质: 铝合金压铸, 镀铬, 磷化;  
适用门厚度: 1-6mm;  
Waterfall zinc die-casting body; set, dead bolt;  
Panel thickness: 1-6mm

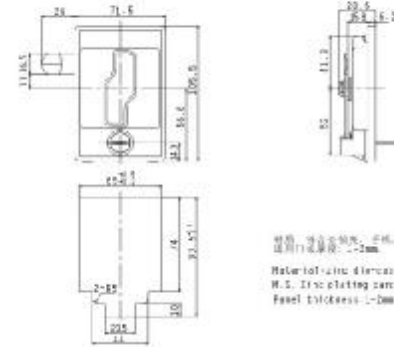
**CAM LOCK SERIES 转舌锁系列**



MS901



材质: 塑料压铸, 锌合金压铸, 磷化, 镀锌处理;  
适用门厚度: 1.5-1.2mm;  
Material: Plastic casting, zinc die-casting; zinc insert, P.S. Zinc plating cam; 1.5-1.2mm;  
Panel thickness: 1.5-1.2mm



MS902



材质: 铝合金压铸, 镀铬, 镀锌处理;  
适用门厚度: 1-2mm;  
Waterfall zinc die-cast; aluminum for body;  
H.S. Zinc plating cam;  
Panel thickness: 1-2mm



MS-A-172-1

基本尺寸 Dimension	产品型号及特性 Product Number	材质 Material	适用门厚度 Panel thickness
L1 L2 40	四方芯 镀锌板	铝合金压铸	1.5-6mm
40 25.5 40	MS-A-172-1	镀锌板	
40 25 40	MS-A-172-2	镀锌板	
28 25.5 21.5	MS-A-172-3	镀锌板	

材质: 铝合金压铸, 镀铬, 镀锌处理;  
适用门厚度: 1.5-6mm;  
Material: zinc die-cast; no body, set, P.S. Zinc plating cam;  
Panel thickness: 1.5-6mm



MS-A-172-3

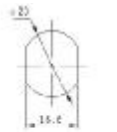
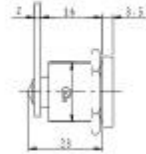
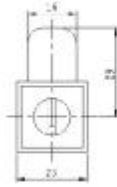




**CAM LOCK SERIES 转舌锁系列**



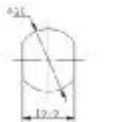
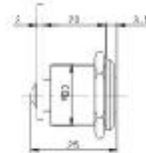
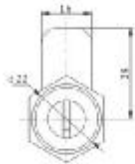
MS-W400-2B



材质: 锌合金锁体, 铜芯,  
镀锌钢板, 不锈钢;  
适用门框厚度: 1-23mm  
备注: 专利号: 20083002  
Material: zinc die-casting body, Cu,  
H.S. 2160 plating cam, Brass key;  
Panel thickness: 1-23mm  
Remark: key combination: 2000



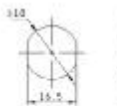
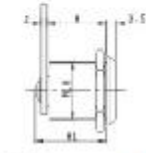
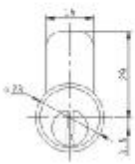
MS-W400-2D



材质: 锌合金锁体, 铜芯,  
镀锌钢板, 不锈钢;  
适用门框厚度: 1-23mm  
备注: 专利号: 20083002  
Material: zinc die-casting body, Cu,  
H.S. 2160 plating cam, Brass key;  
Panel thickness: 1-23mm  
Remark: key combination: 2000



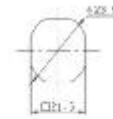
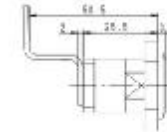
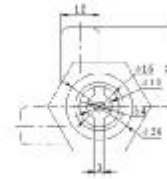
MS-W400-2



材质: 锌合金锁体, 铜芯,  
镀锌钢板, 不锈钢;  
适用门框厚度: 1-23mm  
备注: 专利号: 20083002  
Material: zinc die-casting body, Cu,  
H.S. 2160 plating cam, Brass key;  
Panel thickness: 1-23mm  
Remark: key combination: 20

基本尺寸		产品型号及特性
Dimension		Product Model
H	H1	镀锌钢
20.5	30	MS-W400-1
20.5	20	MS-W400-2
19.5	24	MS-W400-3

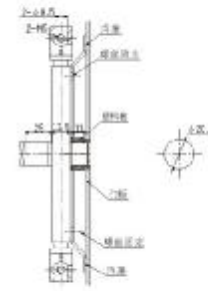
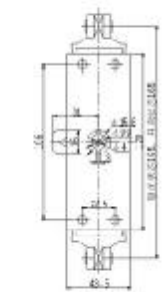
**CAM LOCK SERIES 转舌锁系列**



材质: ABS塑料,  
锌合金锁芯和铜芯;  
适用门框厚度: 1-20mm  
Material: ABS plastic body, zinc  
die-casting lock core and cam;  
Panel thickness: 1-20mm



GCS

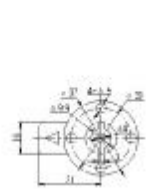


材质: 锌合金锁体, 铜芯, 镀锌钢板和铜芯;  
适用门框厚度: 1.5-20mm  
Material: zinc die-casting body, Cu,  
H.S. 2160 plating lock body cam, Fixing parts;  
Panel thickness: 1.5-20mm



K7D10

GGD-1

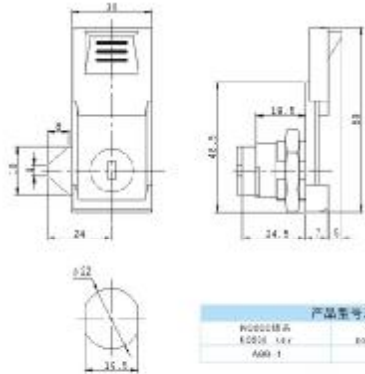


材质: 锌合金锁体, 铜芯, 镀锌钢板;  
适用门框厚度: 1.5-20mm  
Material: zinc die-casting body, Cu,  
H.S. 2160 plating cam  
Panel thickness: 1.5-20mm



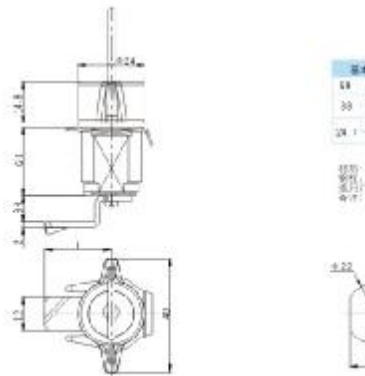
GGD-2

**CAM LOCK SERIES 转舌锁系列**



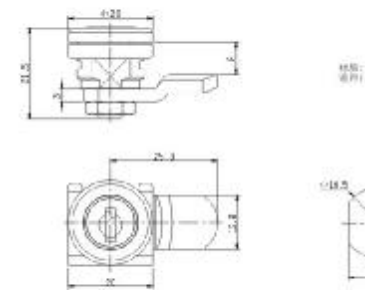
材质: 锌合金压铸, 螺母, 镀锌钢板.  
适用门厚度: 17-5mm.  
Material: zinc die-casting body, Nut,  
N.S. Zinc plating steel.  
Panel thickness: 17-5mm.

产品型号及规格 Product Number		
K0200A	十字槽锁 A	K0200B
K0201	扁形槽锁 A	K0201B
A99-1	A99-2	A99-3



基本尺寸	产品型号及规格
18 20 24	锁芯轴
20 24 28	MS425-1-1/2
24 28 32	MS425-2-1/2
28 32 36	MS425-1-1
32 36 40	MS425-2-1

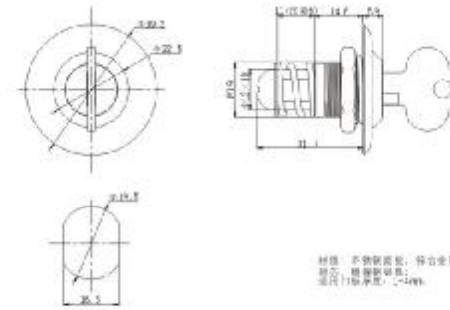
材质: 锌合金压铸, 螺母, 镀锌钢板.  
适用门厚度: 17-5mm.  
适用门厚度: 17-5mm.



材质: 锌合金压铸, 螺母, 镀锌钢板.  
适用门厚度: 17-5mm.



**CAM LOCK SERIES 转舌锁系列**

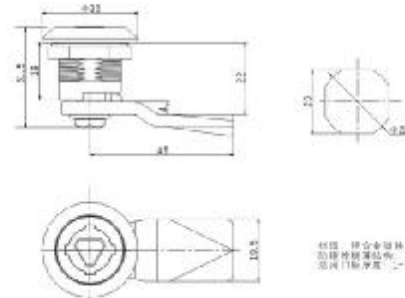


材质: 不锈钢压铸, 螺母, 镀锌钢板.  
适用门厚度: 17-5mm.



MS428

**NEW**

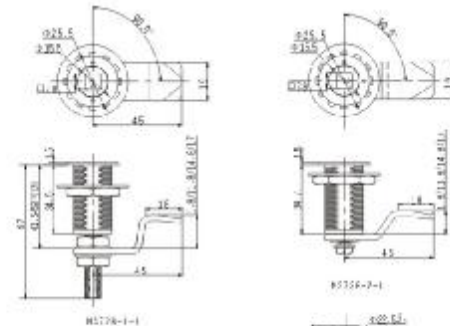


材质: 锌合金压铸, 螺母, 镀锌钢板.  
适用门厚度: 17-5mm.



MS727

**NEW**



材质: 锌合金压铸, 螺母, 镀锌钢板.  
适用门厚度: 17-5mm.  
适用门厚度: 17-5mm.



MS726-1-1



MS726-2-1

**NEW**



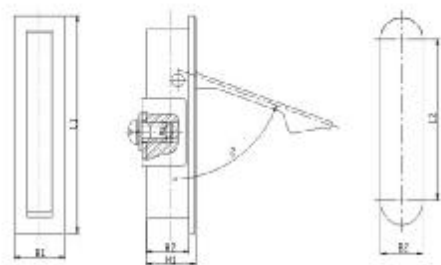
**HANDLES SERIES 拉手系列**



PL001-1



PL001-2



材质: 铝合金  
Material: zinc die casting

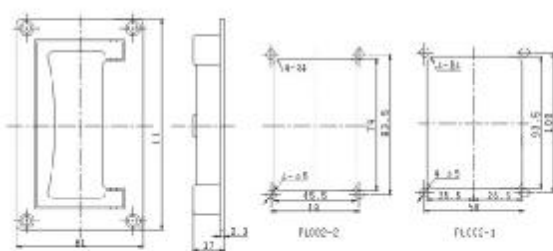
基本尺寸 Dimensions		产品型号及特性 Product Number			
L1	L2	B1	B2	型号名称	特性名称
				银沙镀铬	黑沙镀铬
				PL001-1	PL001-2
77.5	90	30.5	34.5	11	25
90	98	32	36	12	26



PL002-1

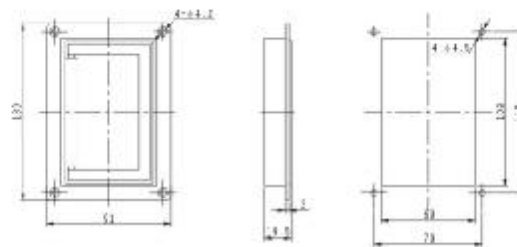


PL002-2

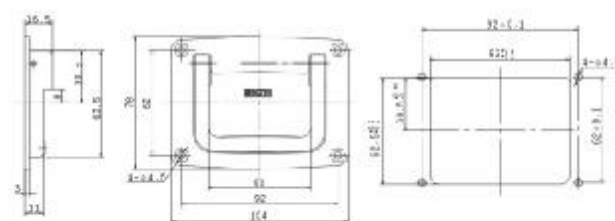


基本尺寸 Dimensions		产品型号及特性 Product Number	
L1	B1	型号名称	特性名称
		银沙镀铬	
		黑沙镀铬	
		PL002-1	
		PL002-2	
111	60.5	材质: 铝合金	
90	61	Material: zinc die-casting	

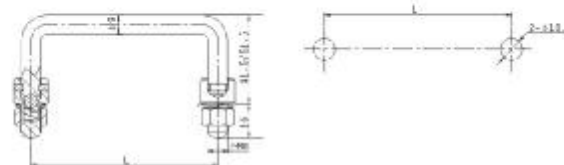
**HANDLES SERIES 拉手系列**



材质: 铝合金  
合金表面: 银沙镀铬  
Material: zinc die-casting  
Finish: Black sand coated



材质: 铝合金  
合金表面: 磨砂面  
Material: zinc die-casting  
Finish: Grey chrom plating



基本尺寸 L		产品型号	
Dimensions L	Product Number	型号名称	特性名称
		银沙镀铬	
		黑沙镀铬	
		PL004-1	
		PL004-2	
81	100	材质: 铝合金	
114	135	合金表面: 银沙镀铬	
120	140	Material: zinc die-casting	
		Finish: Black sand coated	
		PL004-1	
		PL004-2	



PL003-1



PL003-2



PL004-1

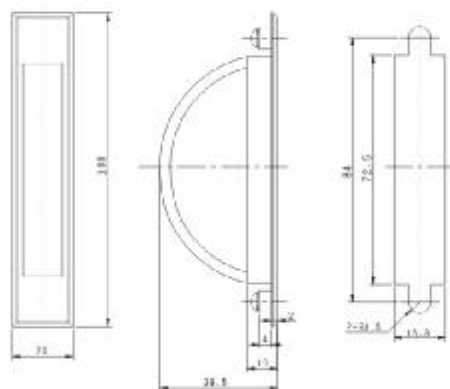


PL004-2

**HANDLES SERIES 拉手系列**



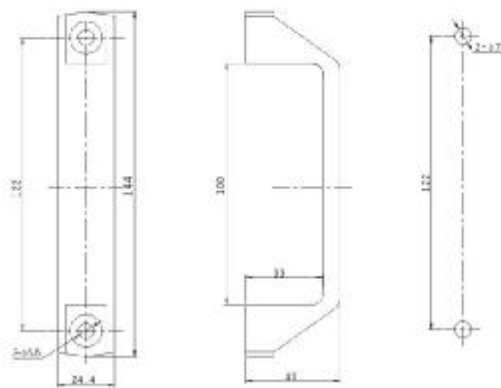
PL005



材质: 铸铝  
表面处理: 喷沙  
Material: cast-aluminum  
Finish: chrome plating



PL006



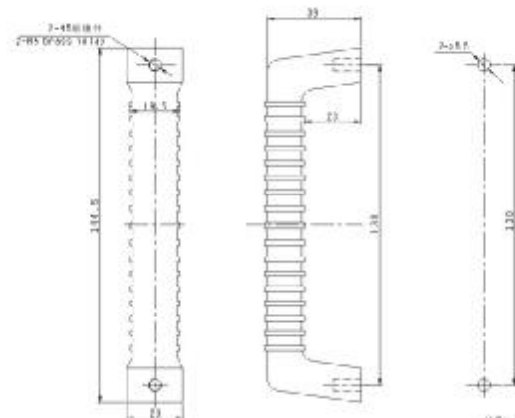
产品型号及特性

Product Model

型号: PL-06  
Material: PA-66

黑色/黑色 Matt black R-001	银灰色 Silver Grey R-002
------------------------------	-----------------------------

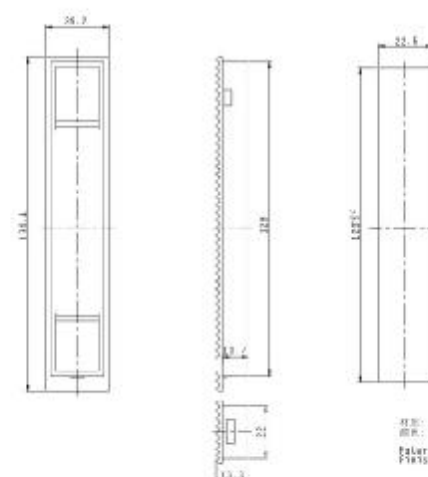
**HANDLES SERIES 拉手系列**



材质: ABS  
表面处理: 喷沙  
Material: ABS  
Finish: sand



PL007



材质: ABS  
颜色: 黑色, 银灰色  
Material: ABS  
Finish: Black, Silver



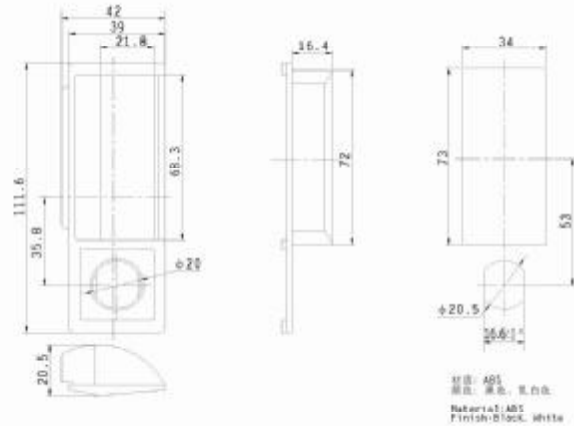
PL008

**HANDLES SERIES 拉手系列**

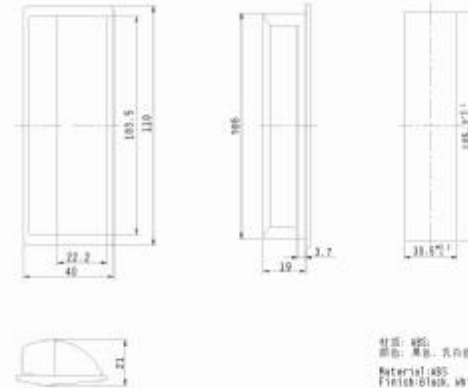


PL009-2

PL009-1



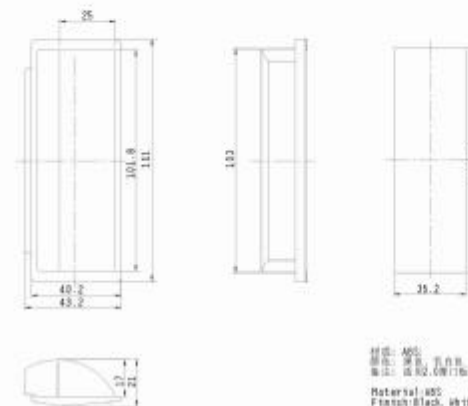
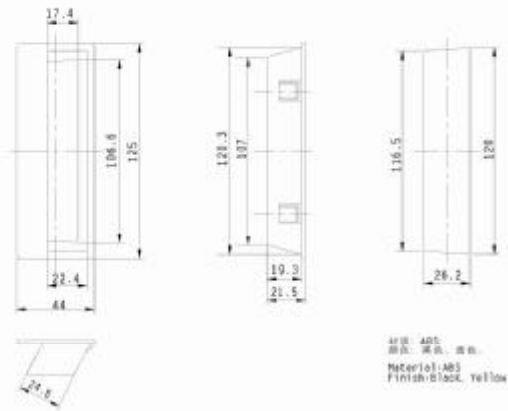
**HANDLES SERIES 拉手系列**



PL011



PL010



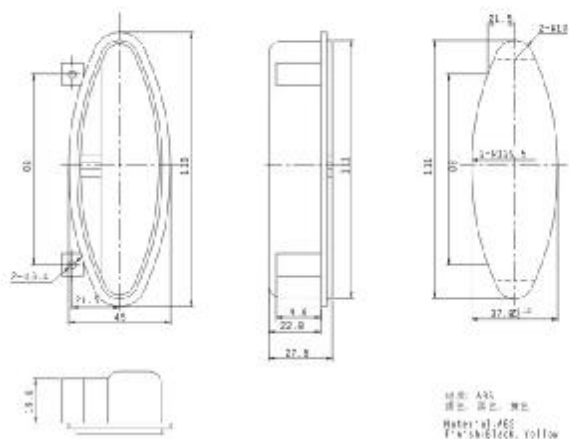
PL012



**HANDLES SERIES 拉手系列**



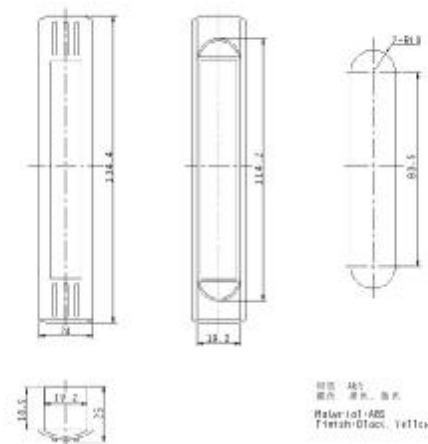
PL013



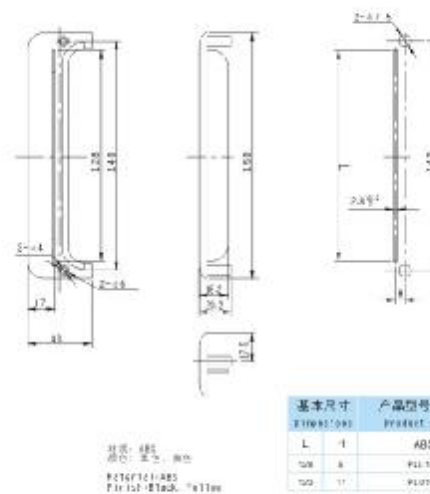
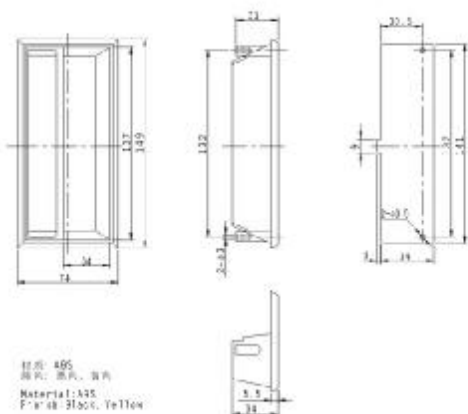
**HANDLES SERIES 拉手系列**



PL015



PL014



基本尺寸	产品型号及特性
Dimension	Product Model
L: 1	ABS
108: 8	PL108A
100: 11	PL108B

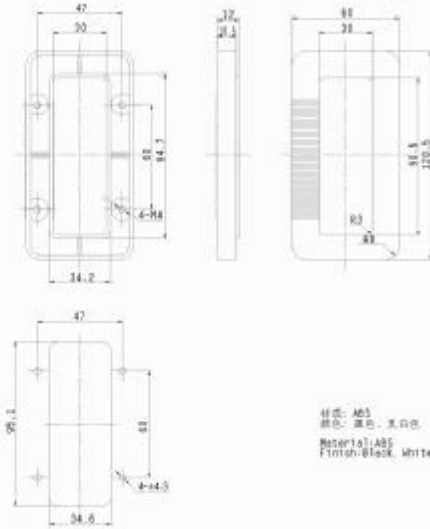


PL016

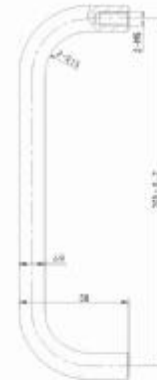
**HANDLES SERIES 拉手系列**



PL017



**HANDLES SERIES 拉手系列**



PL019-1



PL019-2

材质: A3  
颜色: 镀铬  
Material: A3  
Finish: Bright chrome plating



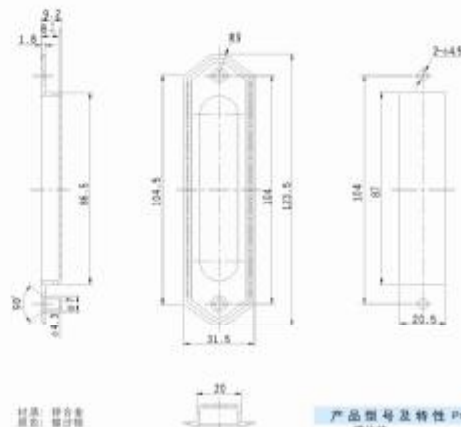
**NEW**

PL019-1

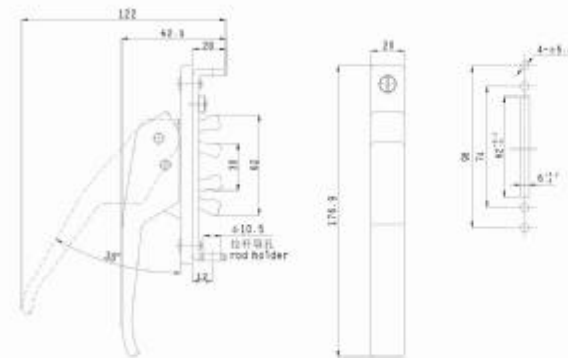


PL018

**NEW**



产品型号及特性 Product Number	
镀锌 PL018	PA-5 PL018P



材质: 铝合金压铸, 固定座, 垫圈, 固定销  
固定座: 铝, 固定座: 钢, 固定销: 钢  
Structure: handle, fixed by rod, adjustable base, left hand and right hand use.  
Panel thickness: 1-3mm

产品型号及特性 Product Number			
不带锁扣 镀锌 PL020-1.2	不带锁扣 无光面 PL020-1.3	带锁扣 镀锌 PL020-1G.2	带锁扣 无光面 PL020-1G.3

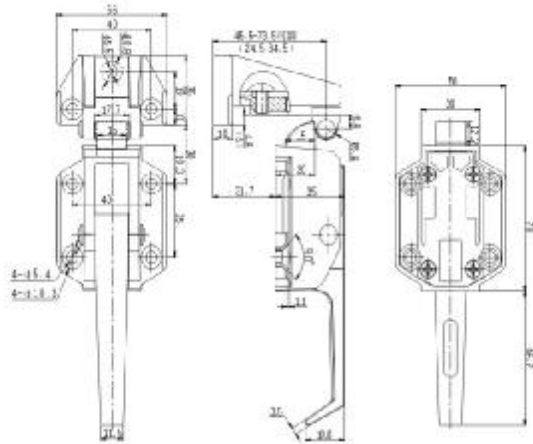


**NEW**

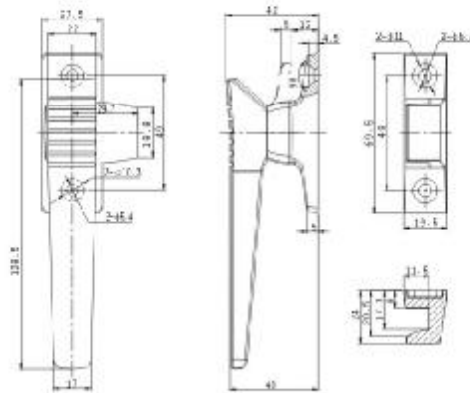
PL020-1

PL020-1G

**HANDLES SERIES 拉手系列**

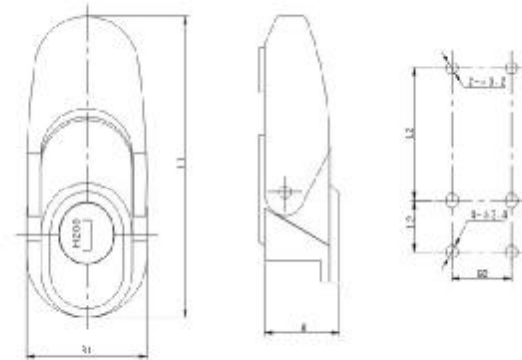


材料: 铝合金  
颜色: 银灰色  
备注: 尺寸为PL021-2K  
Material: aluminum alloy  
Finish: bright chrome plating



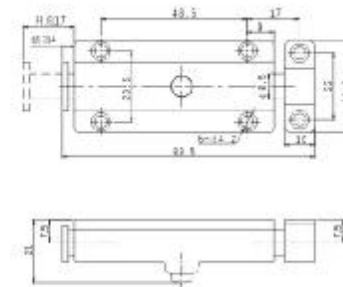
材料: 铝合金  
颜色: 银灰色  
备注: 尺寸为PL022-2K  
Material: aluminum alloy  
Finish: bright chrome plating

**TOGGLE LOCK SERIES 搭扣系列**



材料: 铝合金, 五金零件为不锈钢  
总开门厚度: 3-4mm  
Material: aluminum alloy  
Hardware parts are stainless steel  
Total thickness: 3-4mm

基本尺寸 Dimensions					产品类型及特性 Product Name			
L1	L2	B1	B2	H	银灰色 Bright chrome plating 铝合金 Aluminum alloy	黑色 Black 铝合金 Aluminum alloy	黑色 Black 铝合金 Aluminum alloy	黑色 Black 铝合金 Aluminum alloy
75	35.5	22	18	22	DKS-1-1	DKS-1-2	DKS-1-3	DKS-1-4
65	30	20.5	15	20.5	DKS-2-1	DKS-2-2	DKS-2-3	DKS-2-4
85	30	20.5	15	20.5	DKS-3-1	DKS-3-2	DKS-3-3	DKS-3-4



材料: 铝合金  
Material: aluminum alloy  
Finish: bright chrome plating

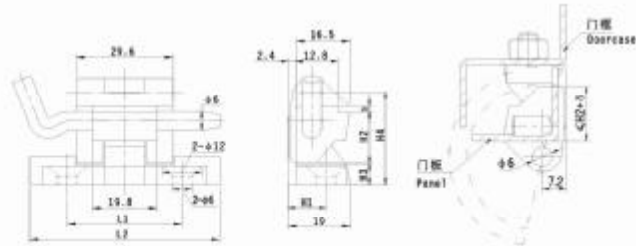




**Hinge SERIES 铰链系列**



HL001-1



基本尺寸					产品型号及特性	
Dimensions					Product Number	
H1	H2	H3	H4	L1	L2	5
11.5	19.8	6.5	29	35	58	2
10	8.8	4.8	22	25	48	2.2

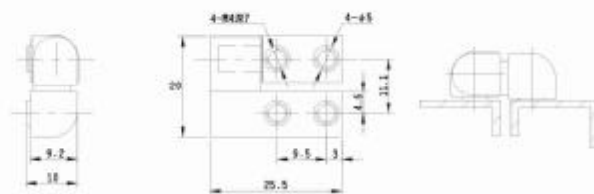
材质: 锌合金壳, 静压铸, 分不锈钢和镍镀铬钢子;  
备注: 转动180°。  
Material: Zinc die-casting hinge, stainless steel and nickel plating steel pin are available.  
Remark: 180° hinge.



HL002L



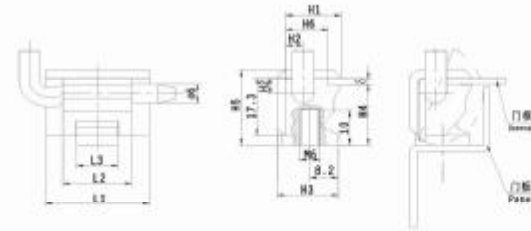
HL002R



产品型号及特性		Product Number	
右铰链	左铰链	黑壳精	亮光精
HL002R	HL002L	HL002-1.0	HL002-1.1

材质: 锌合金壳, 静压铸, 分不锈钢和镍镀铬钢子;  
备注: 转动180°。  
Material: Zinc die-casting hinge, stainless steel and nickel plating steel pin are available.  
Remark: 180° hinge.

**Hinge SERIES 铰链系列**



基本尺寸					产品型号及特性	
Dimensions					Product Number	
H1	H2	H3	H4	H5	H6	5
17.2	8.7	18.8	17.7	23	13	40
16	5.2	17	16.5	21	12	30

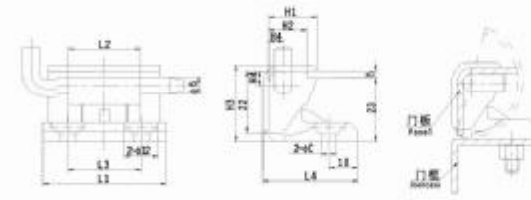
材质: 锌合金壳, 静压铸, 分不锈钢和镍镀铬钢子;  
备注: 转动180°。另有 8-1.8, 型号为 HL003-2A。  
Material: Zinc die-casting hinge, stainless steel and nickel plating steel pin are available.  
Remark: 180° hinge.



HL003-1



HL003-2



基本尺寸					产品型号及特性	
Dimensions					Product Number	
H1	H2	H3	H4	L1	L2	L3
18	15.8	27.8	5.8	52	43	35
16	13	27	5	42	34.8	26

材质: 锌合金壳, 静压铸, 分不锈钢和镍镀铬钢子;  
备注: 转动180°。  
Material: Zinc die-casting hinge, stainless steel and nickel plating steel pin are available.  
Remark: 180° hinge.



HL004-1



HL004-2





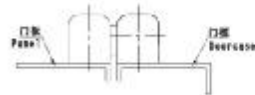




**Hinge SERIES 铰链系列**



HL019R

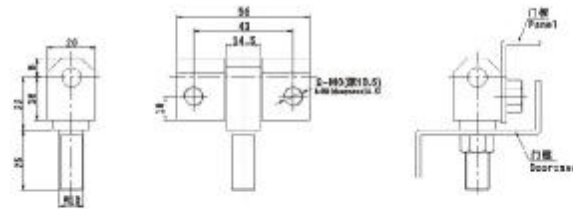


材质: 铝合金, 钢铰链, 分不镀锌和镀锌钢铰链;  
备注: 铰链120°。  
Material: Zinc die-casting hinge, stainless steel and nickel plating steel pin are available.  
Remark: 120° hinge.

特性	镀无亮层	镀沙铬	镀沙镍	沙亮黑
五金件	HL019R.2	HL019R.2	HL019R.2	HL019R.1
五金件	HL019L.2	HL019L.2	HL019L.2	HL019L.1



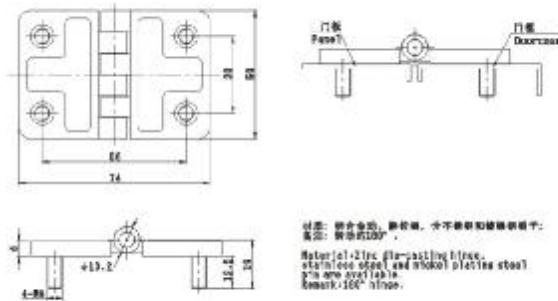
HL020



材质: 铝合金, 钢铰链, 分不镀锌和镀锌钢铰链;  
备注: 铰链120°。  
Material: Zinc die-casting hinge, stainless steel and nickel plating steel pin are available.  
Remark: 120° hinge.

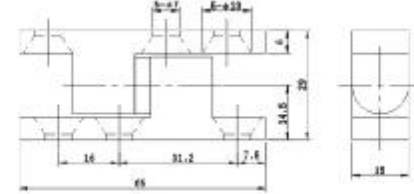


HL021-2

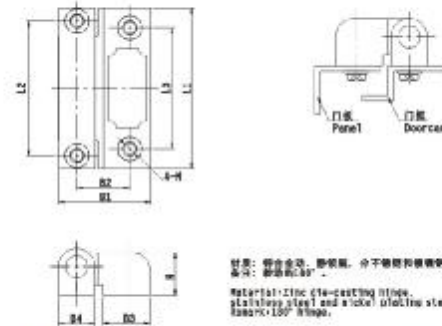


材质: 铝合金, 钢铰链, 分不镀锌和镀锌钢铰链;  
备注: 铰链120°。  
Material: Zinc die-casting hinge, stainless steel and nickel plating steel pin are available.  
Remark: 120° hinge.

**Hinge SERIES 铰链系列**

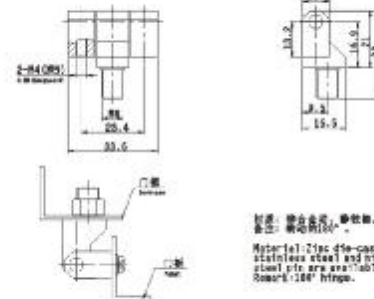


材质: 铝合金, 钢铰链, 分不镀锌和镀锌钢铰链;  
备注: 铰链120°。  
Material: Zinc die-casting hinge, stainless steel and nickel plating steel pin are available.  
Remark: 120° hinge.



材质: 铝合金, 钢铰链, 分不镀锌和镀锌钢铰链;  
备注: 铰链120°。  
Material: Zinc die-casting hinge, stainless steel and nickel plating steel pin are available.  
Remark: 120° hinge.

基本尺寸									产品型号及特性				Product Number	
Dimensions									镀无亮层		镀沙铬		镀沙镍	
L1	L2	L3	B1	B2	B3	B4	H	M	铝合金	钢铰链	镀无亮层	镀沙铬	铝合金	钢铰链
89.5	80	46	34	18.5	17.5	13.5	17.5	8	HL020-1.5	HL020-1.5	HL020-12.3	HL020-12.3	HL020-12.3	HL020-12.3
93	82	50	38.5	18.5	18.5	15	15	4	HL020-2.5	HL020-2.5	HL020-22.3	HL020-22.3	HL020-22.3	HL020-22.3
93	82	50	38	9	10	10	4	HL020-3.5	HL020-3.5	HL020-32.3	HL020-32.3	HL020-32.3	HL020-32.3	HL020-32.3



材质: 铝合金, 钢铰链, 分不镀锌和镀锌钢铰链;  
备注: 铰链120°。  
Material: Zinc die-casting hinge, stainless steel and nickel plating steel pin are available.  
Remark: 120° hinge.



HL022



HL023-1



HL023-2



HL023-3



HL024

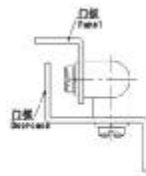




**Hinge SERIES 铰链系列**



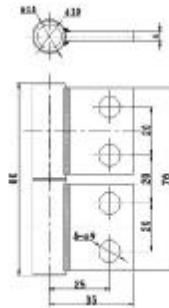
HL030



材质: 合金钢, 静载荷, 分不生锈和镀锌钢两种;  
备注: 臂长为120°。  
Material: 210c die-casting hinge, stainless steel and nickel plating steel pin are available.  
Remark: 120° hinge.



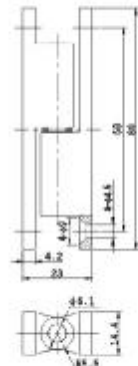
HL031



材质: 镀锌钢板  
Material: 210c plating steel hinge

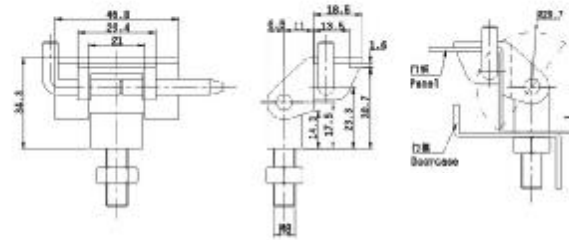


HL032



材质: 合金钢, 静载荷, 分不生锈和镀锌钢两种;  
备注: 臂长为120°。  
Material: 210c die-casting hinge, stainless steel and nickel plating steel pin are available.  
Remark: 120° hinge.

**Hinge SERIES 铰链系列**



材质: 合金钢, 静载荷, 分不生锈和镀锌钢两种及镀锌钢钉;  
备注: 臂长为120°。  
Material: 210c die-casting hinge, stainless steel and nickel plating steel pin are available.  
Remark: 120° hinge.



HL033



板厚H	产品型号及规格
H	Product Number
23.4	HL034-1
23	HL034-2
17	HL034-3

材质: 表面不生锈材料;  
备注: 臂长为120°。  
Material: Mirror surface stainless steel body.  
Remark: 120° hinge.



HL034-2





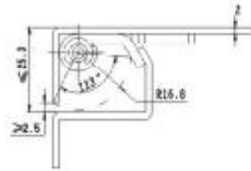
**Hinge SERIES 铰链系列**



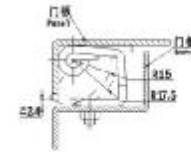
HLC40



材质: 镀锌钢铰链;  
备注: 120° 铰链。  
Material: Zinc plating steel hinge.  
Remark: 120° hinge.



**Hinge SERIES 铰链系列**



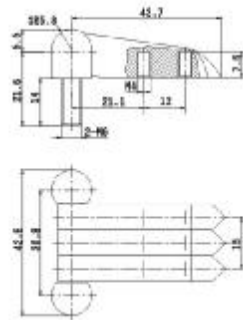
材质: 镀锌钢铰链, 镀锌钢铰链;  
备注: 120° 铰链。  
Material: Zinc plating steel hinge.  
Remark: 120° hinge.



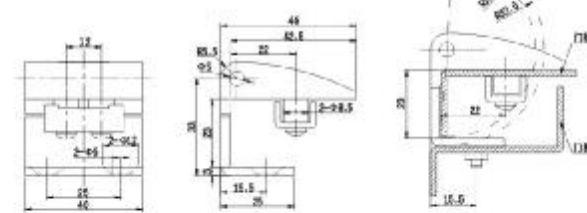
HLC40



HL041-1



材质: 合金钢, 镀锌钢, 不锈钢铰链;  
备注: 120° 铰链。  
Material: Zinc die-casting steel, stainless steel and zinc plating steel pin are available.  
Remark: 120° hinge.



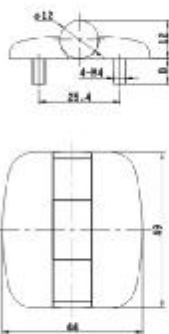
材质: 合金钢铰链, 镀锌钢铰链和不锈钢, 不锈钢和镀锌钢铰链;  
备注: 120° 铰链。  
Material: Zinc die-casting hinge, stainless steel and nickel plating steel pin are available.  
Remark: 120° hinge.



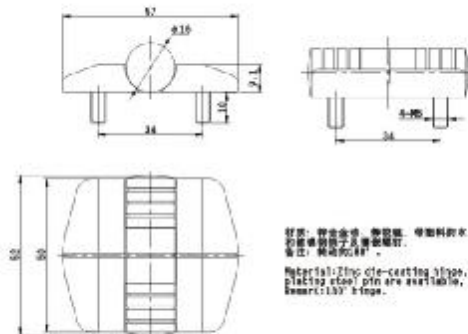
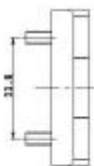
HL041-1



HL042



材质: 合金钢, 镀锌钢, 塑料铰链, 塑料铰链和水, 不锈钢;  
备注: 120° 铰链。  
Material: Zinc die-casting hinge, plastic microware cup, stainless steel and nickel plating steel pin are available, stainless steel and zinc plating steel pin are available.  
Remark: 120° hinge.



材质: 合金钢, 镀锌钢, 塑料铰链, 塑料铰链和水, 不锈钢;  
备注: 120° 铰链。  
Material: Zinc die-casting hinge, stainless steel and nickel plating steel pin are available.  
Remark: 120° hinge.

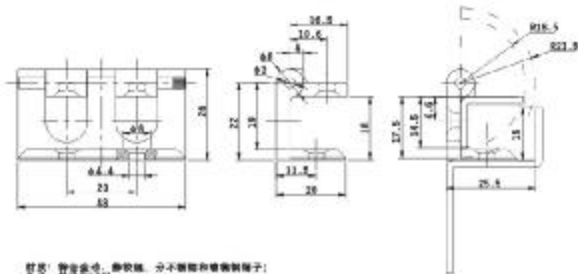


HL042

**Hinge SERIES 铰链系列**



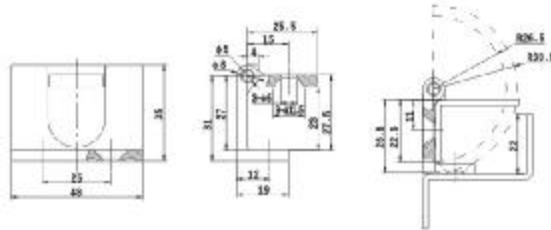
HL046



材质: 铸铝合金, 静压钢, 分子锁和静压钢制锁子;  
备注: 铰链角137°。  
Material: Zinc die-casting hinge, stainless steel and metal plating steel pin are available.  
Remark: 137° hinge.



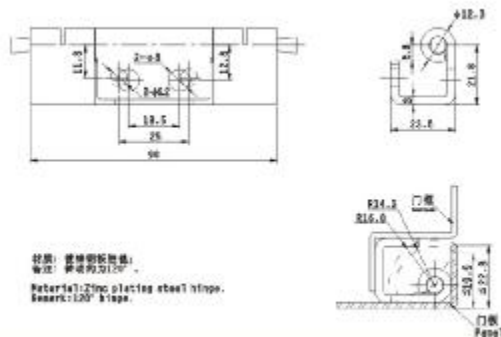
HL047



材质: 铸铝合金, 静压钢, 分子锁和静压钢制锁子;  
备注: 铰链角137°。  
Material: Zinc die-casting hinge, stainless steel and metal plating steel pin are available.  
Remark: 137° hinge.

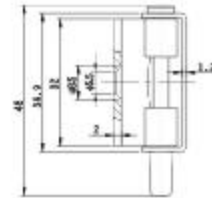


HL048



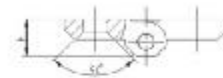
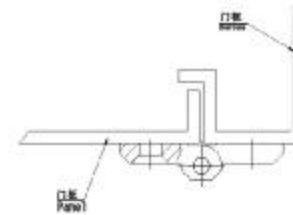
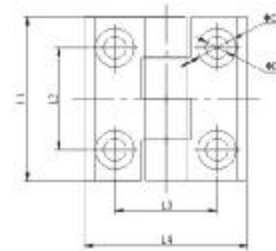
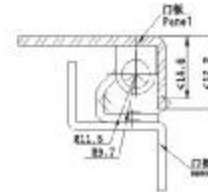
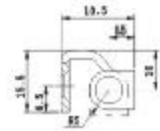
材质: 镀锌钢板铰链;  
备注: 铰链角120°。  
Material: Zinc plating steel hinge.  
Remark: 120° hinge.

**Hinge SERIES 铰链系列**



HL049-1

材质: 镀锌钢板铰链, 静压钢制;  
备注: 铰链角100°。  
Material: Zinc plating steel hinge, stainless steel pin.  
Remark: 100° hinge.



材质: 铸铝合金, 静压钢, 分子锁和静压钢制锁子;  
备注: 铰链角137°。  
Material: Zinc die-casting hinge, stainless steel and metal plating steel pin are available.  
Remark: 137° hinge.

基本尺寸 Dimensions

L1	L2	L3	L4	H	ØC	ØD	锁壳规格	产品型号及代号 Product Number	不锈钢
80	30	54	80	18	16.5	8.2	HL050-1-1	HL050-1-1	HL050-1-1
80	30	54	80	18	16.5	8.2	HL050-1-2	HL050-1-2	HL050-1-2
80	30	54	80	18	16.5	8.2	HL050-1-3	HL050-1-3	HL050-1-3
40	25	55	40	9	9.5	5.1	HL050-2-1	HL050-2-1	HL050-2-1
50	30	68	76	15	12.5	8.5	HL050-2-2	HL050-2-2	HL050-2-2
70	40	87	80	18	16.5	8.7	HL050-2-3	HL050-2-3	HL050-2-3







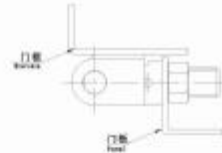
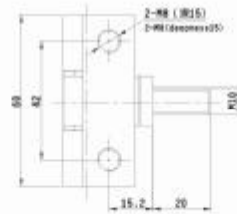




**Hinge SERIES 铰链系列**

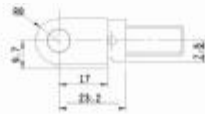


HL061L

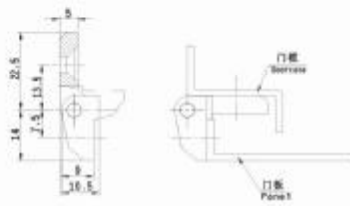
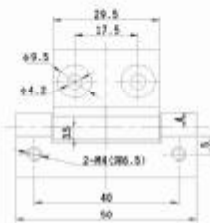


产品型号及特性 Product Number  
右铰链 Right hinge HL061R  
左铰链 Left hinge HL061L

材质: 锌合金压铸, 静咬轴, 分不锈钢和镀镍钢轴。  
备注: 轴动约120°。  
Material: Zinc die-casting hinge, stainless steel and nickel plating steel pin are available.  
Remark: 120° hinge.



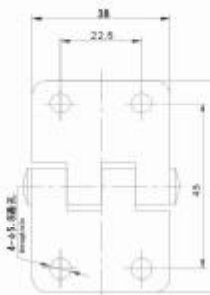
HL062



材质: 锌合金压铸, 静咬轴, 分不锈钢和镀镍钢轴子。  
备注: 轴动约120°。  
Material: Zinc die-casting hinge, stainless steel and nickel plating steel pin are available.  
Remark: 120° hinge.

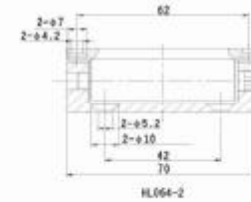


HL063-2



材质: 镜面不锈钢压铸。  
备注: 轴动约120°。  
Material: Mirror surface stainless steel body.  
Remark: 120° hinge.

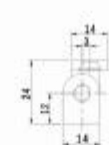
**Hinge SERIES 铰链系列**



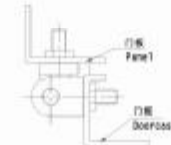
HL064-2



HL064-1



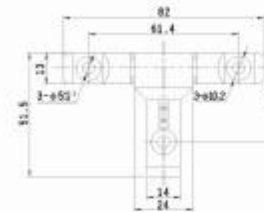
材质: 锌合金压铸, 静咬轴, 分不锈钢和镀镍钢轴子。  
备注: 轴动约120°。  
Material: Zinc die-casting hinge, stainless steel and nickel plating steel pin are available.  
Remark: 120° hinge.



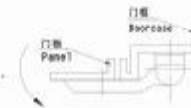
HL064-1



HL064-2



材质: 锌合金压铸, 静咬轴, 分不锈钢和镀镍钢轴子, 塑料盖圈。  
备注: 轴动约120°。  
Material: Zinc die-casting hinge, stainless steel and nickel plating steel pin are available. Plastic washer.  
Remark: 120° hinge.



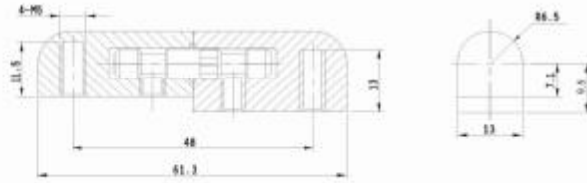
HL065

**Hinge SERIES 铰链系列**

**Hinge SERIES 铰链系列**



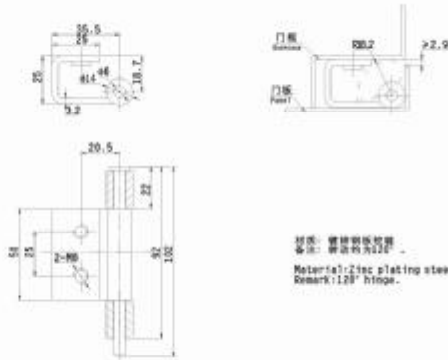
HL066



材质: 锌合金壳, 钢铰链, 分不锈钢和镀锌钢两种;  
备注: 转动角180°。  
Material: Zinc-die casting hinge, stainless steel and  
zinc plating steel pin are available.  
Remark: 180° hinge.



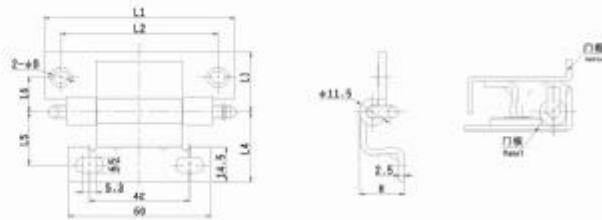
HL067



材质: 镀锌钢板铰链  
备注: 转动角为120°。  
Material: Zinc plating steel hinge.  
Remark: 120° hinge.



HL068-1



**基本尺寸**

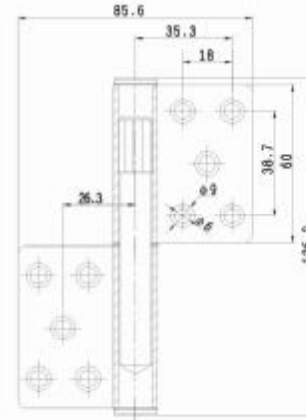
Dimensionless

**产品型号及特性**

Product Number

L1	L2	L3	L4	L5	L6	H	φD	备注
80	80	26.8	29	22	15.8	19	6.3	镀锌钢
80	80	26.8	29	22	15.8	19	6.3	白锌钢
80	48	18.8	22.8	26.8	12.8	24.2	6.3	HL068-1
80	48	18.8	22.8	26.8	12.8	24.2	6.3	HL068-2

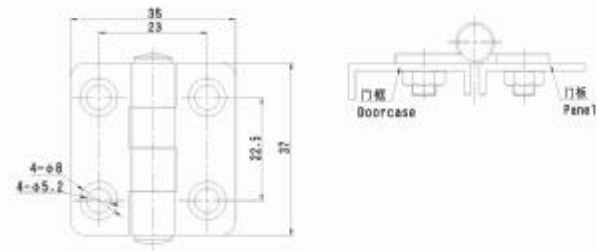
材质: 镀锌钢板铰链;  
备注: 转动角为120°。  
Material: Zinc plating  
steel hinge.  
Remark: 120° hinge.



材质: 全不锈钢铰链;  
备注: 转动角为180°。  
Material: Stainless steel hinge.  
Remark: 180° hinge.



HL069

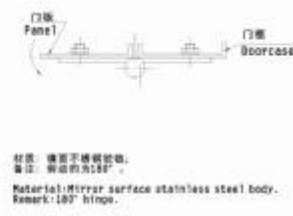
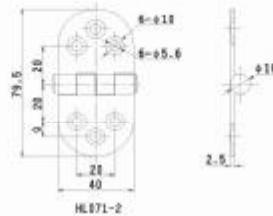
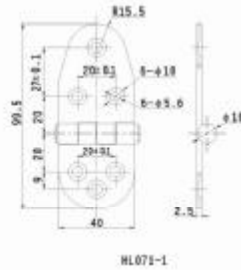
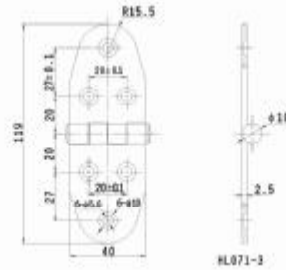


材质: 镜面不锈钢铰链;  
备注: 转动角为180°。  
Material: Mirror surface stainless steel body.  
Remark: 180° hinge.

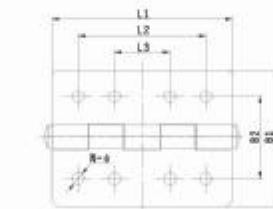


HL070

**Hinge SERIES 铰链系列**



材质: 镜面不锈钢铰链。  
备注: 转动为180°。  
Material: Mirror surface stainless steel body.  
Remark: 180° hinge.



材质: 镜面不锈钢铰链。  
备注: 转动为180°。  
Material: Mirror surface stainless steel body.  
Remark: 180° hinge.



基本尺寸		产品型号及特性							
Dimensions		Product Number							
L1	L2	L3	B1	B2	φ	H	T	N	不锈钢铰链 stainless steel
190	79	28	80	38	6.4	6	3	8	HL072-1
80	70	/	80	38	6.4	8	3	8	HL072-2
76	64	/	80	30	6.3	4.0	1.5	8	HL072-3

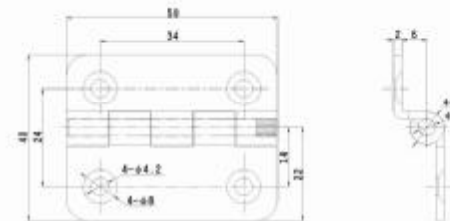
HL072



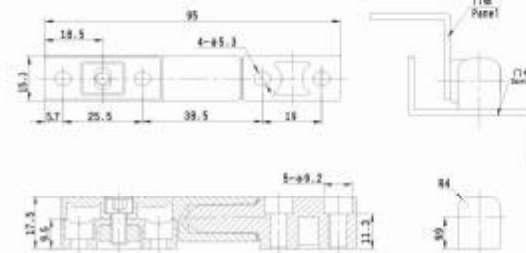
**Hinge SERIES 铰链系列**



材质: 锌合金铰链, 锌压铸, PA-66衬子。  
备注: 转动为180°。  
Material: Zinc die-casting hinge, PA-66 gln.  
Remark: 180° hinge.



材质: 镜面不锈钢铰链。  
备注: 转动为180°。  
Material: Mirror surface stainless steel body.  
Remark: 180° hinge.



材质: 锌合金铰链, 锌压铸。  
备注: 转动为180°, 全铰链型号: HL075A。  
Material: Zinc die-casting hinge  
Remark: 180° hinge.









**Hinge SERIES 铰链系列**



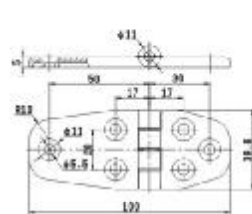
HL087-1



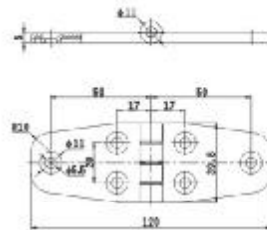
HL087-2



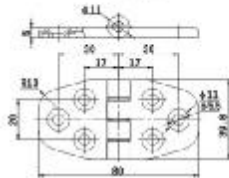
HL087-3



HL087-1



HL087-3



HL087-2

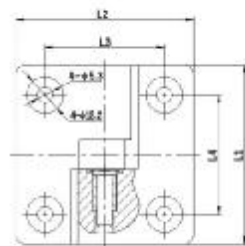
材质: 铸铝合金, 黄铜板, 不锈钢板(按材料), 不锈钢垫片;  
备注: 表面处理:18°  
Material: Zinc die-casting hinge, stainless steel and nickel-plated brass pin are available, stainless steel washer.  
Remark: 18° finish.



HL088-1



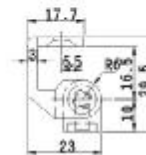
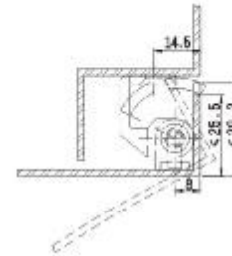
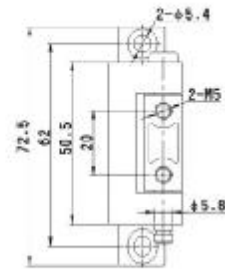
HL088-2



基本尺寸						产品型号及特性
Dimensions						Product Number
L1	L2	L3	L4	B1	B2	铰链轴
75	54	54	50	20	11	HL088-1.2
60	59.5	48	40	15	10	HL088-2.2

材质: 铸铝合金, 黄铜板, 不锈钢板(按材料);  
备注: 表面处理:18°  
Material: Zinc die-casting hinge, stainless steel and nickel-plated brass pin are available.  
Remark: 18° finish.

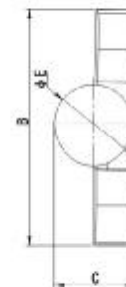
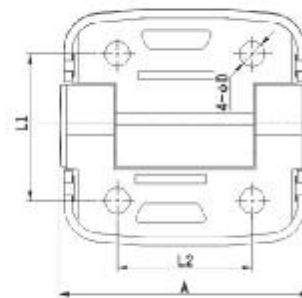
**Hinge SERIES 铰链系列**



材质: 铸铝合金, 黄铜板, 不锈钢板;  
备注: 表面处理:18°  
Material: Zinc die-casting hinge, stainless steel and nickel-plated brass pin are available.  
Remark: 18° finish.



HL090



基本尺寸							产品型号及特性
Dimensions							Product Number
A	B	C	φD	φE	L1	L2	扁头铰链
60.5	53	20.0	φ4.8	φ21	20	20	HL091-1
44.5	41	14.5	φ4.8	φ14	25	24	HL091-2

材质: PA-66铰链轴;  
备注: 铰链轴, 左右开孔通用, 门板转动角:180°  
Material: PA-66 hinge.  
Remark: 180° precast hinge, both left and right use.



HL091-1



HL091-2

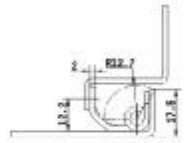
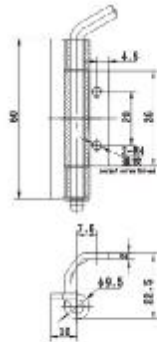


**Hinge SERIES 铰链系列**



HL092 HL092B

**NEW**



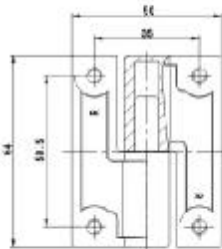
**产品型号及特性 Product Number**  
 镀锌钢板 不锈钢  
 Zinc plating steel HL092 Stainless steel HL092B

材质: 镀锌钢板或不锈钢板, 铰链钢球或不锈钢球。  
 备注: 转动角为120°。  
 Material: Zinc plating steel plate, stainless steel plate.  
 Remark: 120° hinge.



HL093L

**NEW**

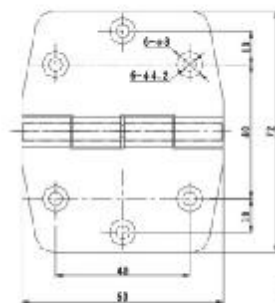


**产品型号及特性 Product Number**  
 左铰链 Left hinge HL093L 右铰链 Right hinge HL093R

材质: 合金钢, 镀锌板, 不锈钢和镀锌板钢球。  
 备注: 转动角为120°。  
 Material: Zinc die-casting hinge, stainless steel and nickel plating steel pin are available, stainless steel and nickel plating steel 18-8 pin are available.  
 Remark: 120° hinge.

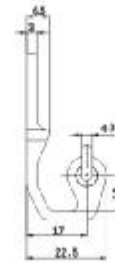
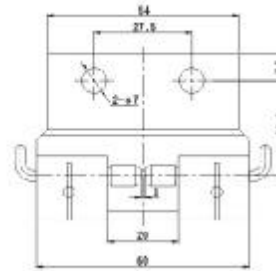


HL094



材质: 合金钢。  
 备注: 转动角为120°。  
 Material: Mirror surface stainless steel body.  
 Remark: 120° hinge.

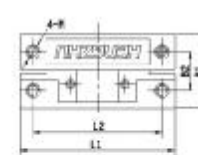
**Hinge SERIES 铰链系列**



材质: 合金钢。  
 备注: 转动角为120°。  
 Material: Zinc die-casting fixed hinge, stainless steel and nickel plating steel pin are available.  
 Remark: 120° hinge.



HL095



材质: 合金钢, 镀锌板, 不锈钢和镀锌板钢球。  
 备注: 转动角为120°。  
 Material: Zinc die-casting hinge, stainless steel and nickel plating steel pin are available.  
 Remark: 120° hinge.

基本尺寸 Dimensions									产品型号及特性 Product Number	
L1	L2	B1	B2	B3	B4	H1	H2	M	镀锌钢板 Blank plating	镀锌板 Grey plating
58.5	50	29	18	14	11	16	10	6	HL096-1.0	HL096-1.2
80	40	24.0	12.8	12	8.8	16	10	4	HL096-2.0	HL096-2.2
80	22	21.5	12.5	10	8	16	11.5	4	HL096-3.0	HL096-3.2



HL096-1

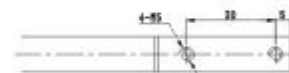


HL096-2

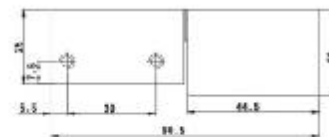


HL096-3

**NEW**



材质: 合金钢, 镀锌板, 不锈钢和镀锌板钢球。  
 备注: 转动角为120°。  
 Material: Zinc die-casting hinge, stainless steel and nickel plating steel pin are available.  
 Remark: 120° hinge.



HL097

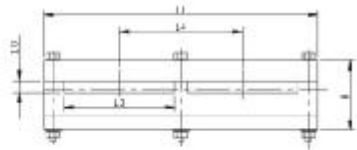
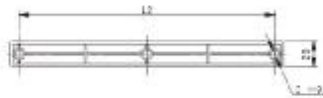
**NEW**





**Accessory** SERIES 附件系列

CMJ 材质: PPO

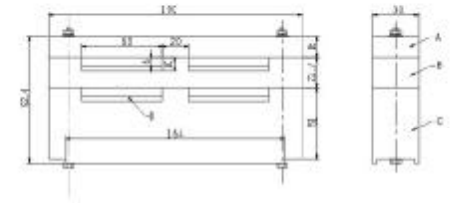
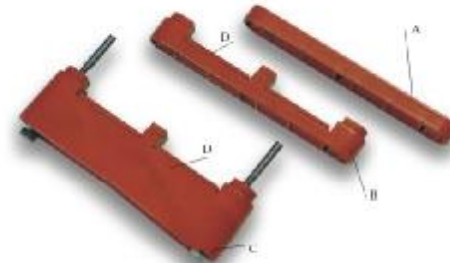


基本尺寸 Dimensions					产品型号及特性 Product Number
L1	L2	L3	L4	H	PPO
100	240	100	110	70	CMJ-10A
100	240	100	110	55	CMJ-10B
100	180	100	100	70	CMJ-12A

型号	外型尺寸 (mm)	母线规格 (mm)
CMJ-05A	170x28x70	5x50
CMJ-05B	170x28x55	5x50
CMJ-06A	170x28x70	10x60
CMJ-06B	170x28x55	10x60
CMJ-06A	170x28x70	6x60
CMJ-06B	170x28x55	6x60
CMJ-06A	220x28x70	10x60
CMJ-06B	220x28x55	10x60
CMJ-10A	250x28x70	10x100
CMJ-10B	250x28x55	10x100
CMJ-12A	300x28x70	10x120
CMJ-12B	300x28x55	10x120

**Accessory** SERIES 附件系列

CMJ-3 材质: PPO



CMJ-2 材质: PPO



外型尺寸图 Outline dimension diagram

型号	外型尺寸 (mm)	母线规格 (mm)
CMJ-05	190x30x92.4	6x60
CMJ-10	190x30x92.4	10x60

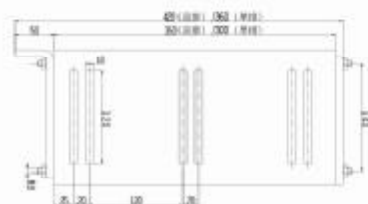
CMJ 扁平复式号流夹  
CMJ Type or custom self-rolled type busbar clamp

CMJ-1 材质: PPO



**Accessory** SERIES 附件系列

ZMJ-2 材质: PPO



注: 括号中360为单排尺寸。

Note: 360 between the bracket refers to the dimension of single-track.

ZMJ-1 材质: PPO



ZMJ型主母线夹型号及规格 Model and specification

型号	外型尺寸 (mm)	母线规格 (mm)
ZMJ1-100	360x35x180	单排 10x100
ZMJ1-80	360x35x180	单排 10x80
ZMJ1-60a	360x35x180	单排 10x60
ZMJ1-60	360x35x180	单排 6x60
ZMJ1-50	360x35x180	单排 5x50
ZMJ1-40a	360x35x180	单排 5x40
ZMJ1-40	360x35x180	单排 4x40
ZMJ2-100	420x35x180	双排 10x100
ZMJ2-80	420x35x180	双排 10x80
ZMJ1-60a	420x35x180	双排 10x60
ZMJ1-60	420x35x180	双排 6x60

LMJ 材质: PPO



LMJ型主母线夹 Type model and specification

型号	外型尺寸 (mm)	母线规格 (mm)
LMJ-100	100x35x180	10x100
LMJ-80	100x35x180	10x80
LMJ-60A	100x35x180	10x60
LMJ-60	100x35x180	6x60
LMJ-50	100x35x180	5x50
LMJ-40A	100x35x180	5x40
LMJ-40	100x35x180	4x40

**Accessory** SERIES 附件系列

GGD-1

GGD-2

GGD-3



规格 (mm)
100x10x240
80x8x200
60x6x160

THC 材质: ABS



THC 材质: ABS



THC 材质: ABS



**Accessory SERIES 附件系列**

1/2 轴拉式导轨  
1/2 Drawing type guide  
材质: 阻燃ABS



1/2 单元测控板  
1/2 Unit test and control plate  
材质: ABS



PC 测控板  
PC Test and control plate  
材质: ABS



单元测控板  
Unit test and control plate  
材质: ABS



各种规格观察窗  
Observatory window of various specifications  
材质: ABS



绝缘子  
Isolator  
材质: PPO

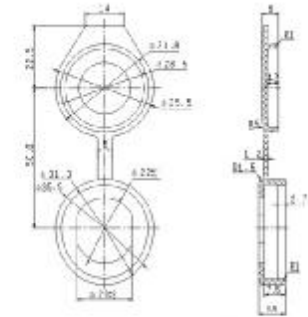


φ30-M6	φ30	灰色
φ45-M8	φ45	黄色
φ50-M10	φ50	灰色
φ30-M8	φ30	灰色
SGR-50-M10	φ50	棕色色
SGR-50-M8	φ45	棕色色
SGR-50-M10	φ50	棕色色
SGR-30-M8	φ30	棕色色

**Accessory SERIES 附件系列**



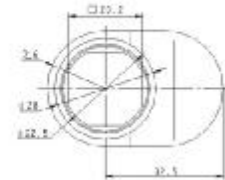
FJ01



材质: 改性丙烯酸酯  
Material: Flantoplaston



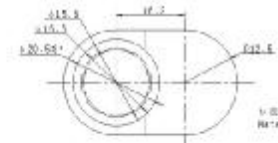
PT01-2



材质: 聚丙烯  
Material: PA-6 Black



PT02



材质: 聚丙烯  
Material: PA-6 Black

材质: PA-6





**Accessory** SERIES 附件系列

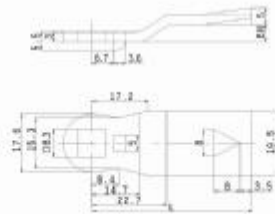
**Accessory** SERIES 附件系列

钢栓编号说明:



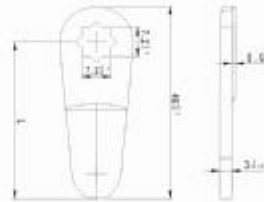
钢栓形式	
1	单点式钢栓
2	两点式钢栓
3	二点式钢栓

圆槽开孔	
A	圆槽开孔口宽+7
B	圆槽开孔口宽+8
C	圆槽开孔口宽+10
D	异形圆槽开孔

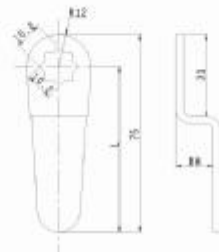


1B4515	35	45
1B4517	37	45
1B4520	2	45
1B4512	12	45
1B4707	7	47
1B4306	6	41
1B4208	8	42
1B5003	3	50
1B5113	13	50
1B4504	4	45
1B4600	0	46
1B5303	3	53
1B3636	36	36
1B3630	30	36
1B3825	25	39
1B3620	20	39
1B4915	15	49
1B4710	10	47
1B4905	5	49
编号	钢栓高度	中心孔

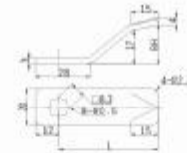
备注: 此系列钢栓有单点和两点式设计。



1A3800	0	39
1A3404	4	34
1A3500	0	35
编号	钢栓高度	中心孔



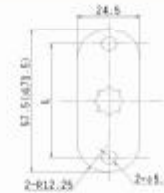
1C6002	2	60
1C6314	14	63
1C7300	0	73
编号	钢栓高度	中心孔



KB207	20	52
KB400	0	50
KB415	15	48
KB725	25	57
KB830	0	59
KB405	5	59
KB220	20	52
KB400	0	59
编号	钢栓高度	中心孔



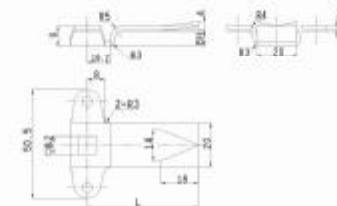
1B4516	16	45
1B4504	4	45
1C7200	0	72
1C1830	0	30
1C1430	0	34
编号	钢栓高度	中心孔



1B3504	0	35
1B4504	0	45
1C5000	0	54
编号	钢栓高度	中心孔



1C6012	12	60
1C7115	15	77
1C8004	0	88
编号	钢栓高度	中心孔



1B6012	12	60
1B5108	8	57
1C8000	0	88
1C4032	2	48
1C2017	7	52
编号	钢栓高度	中心孔

**Accessory SERIES 附件系列**

**钥匙**



K1030 K0200 K0600 K0540 K0330 K0400 K0580 K0100 K0700 K8260 K0550 K0570



K333 K8080 K8081 K0510 K8060 K8180 K7010 K7030 K7040 K7050



K1030 K0200 (K0700) K0630 K0540 K0300 (K0700) K0400 (K0700) K0580 K0100 K8260 K0550 K0570

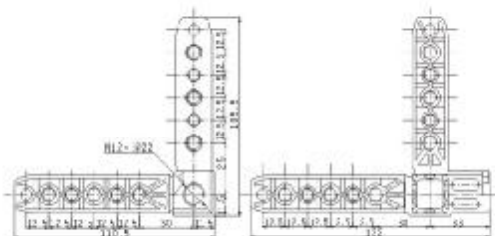


K333 K8080 K8061 K0510 K8060 K8180 K7010 K7030 K7040 K7050



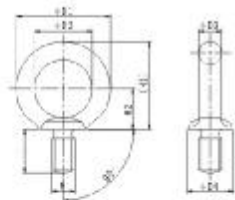
ST-01

- 材 质: 锌合金压铸
- Finish: zinc alloy, steel



DH-M

- 材 质: 铁制, 不锈钢;
- 表面处理: 镀锌, 镀锌镍;
- Finish: Robot steel, stainless steel;
- Tinted: Color zinc plating, white zinc plating.



规格	L	H1	H2	H3	H4	H5	H6	H7	H8
DH-M8	1.2	20.5	17	22.6	20	5.3	70	8	
DH-M10	1.8	21.5	21	21	25	8	20	10	
DH-M12	2.2	21	26	20	20	10	25	12	
DH-M16	2.7	40	38	40	38	12.5	30	16	
DH-M20	3.0	71	35	32	40	16	35	20	
DH-M22	3.4	44	42	41	44	16	40	22	
DH-M24	3.8	30	45	40	30	20	45	24	
DH-M30	4.5	110	55	110	60	25	60	30	
DH-M36	5.5	121	66	138	70	31.3	70	36	



# Rooted in China, Geared to the World

立足本土 面向世界.....

Based on this miraculous and magnificent land, bringing together the wisdom of Hengzhu people, absorbing the nimbus and elites of mountains and rivers, we're growing continuously and leading in the development road of China Electrical Cabinet lock. Hengzhu are striving to build up a world-famous brand of electrical cabinet locks.

恒珠眷恋这片神奇绚丽的土地，  
汇集恒珠人的智慧，  
吸纳山川灵气，  
不断壮大。  
领跑中国电气柜锁发展之路，  
力争创世界电气柜锁知名品牌。